

STANDARD COMPONENTS INCLUDE:

Boom, boom hoist cylinder, 2-speed winch, load line and 5 ton (4,5 mt) overhaul ball, turret, pedestal, dual operator control stations, LMI & ATB protection systems, sub-frame, a-frame link outriggers, a-frame rear stabilizers, hydraulic reservoir and boom rest.

HYDRAULICS

- 8-Bolt direct mounted PTO with SAE B or SAE BB output
- Three-section gear pump, SAE BB input (standard)

Pump Section	2000 RPM	2000 RPM
Shaft End Pump:	32.4 GPM @ 100 PSI	123 LPM @ 100 PSI
Center Pump:	20.6 GPM @ 100 PSI	78 LPM @ 100 PSI
Cover End Pump:	10 GPM @ 100 PSI	38 LPM @ 100 PSI

- Hydraulic reservoir - 70 gallon (265 liter) capacity

WARNING SYSTEMS

- LMI with display and crane function shut-offs for overload protection
- Anti-two block system

OPTIONS

- Rear mount configuration (consult factory)
- Wireless LMI and ATB system
- 20' (6,2 m) Flatbed - wood or 1/8" steel deck
- 20' (6,2 m) Heavy hauler flatbed - 3/16" steel deck w/rub rails
- 24" (610 mm) Bulkhead
- 23.6' (7,2 m) Fixed jib
- 23.6' (7,2 m) - 40.6' (12,4 m) 2-Section telescopic jib
- Rotation resistant wire rope, 9/16" (14,3 mm) diameter
- Load block - 1 sheave
- Front center stabilizer
- Hydraulic oil cooler
- Hose reel - boom mounted
- Toolboxes
 - 24" L x 20" W x 18" H (610 mm x 508 mm x 457 mm)
 - 48" L x 18" W x 18" H (1220 mm x 457 mm x 457 mm)
- 2-Person gravity leveled non-rotating basket - 600 lb (272 kg) capacity
- 2-Person gravity leveled rotating (manual) basket - 1200 lb (544 kg) capacity
- 4-Function radio remote crane control system
- Three section vane pump, SAE B input

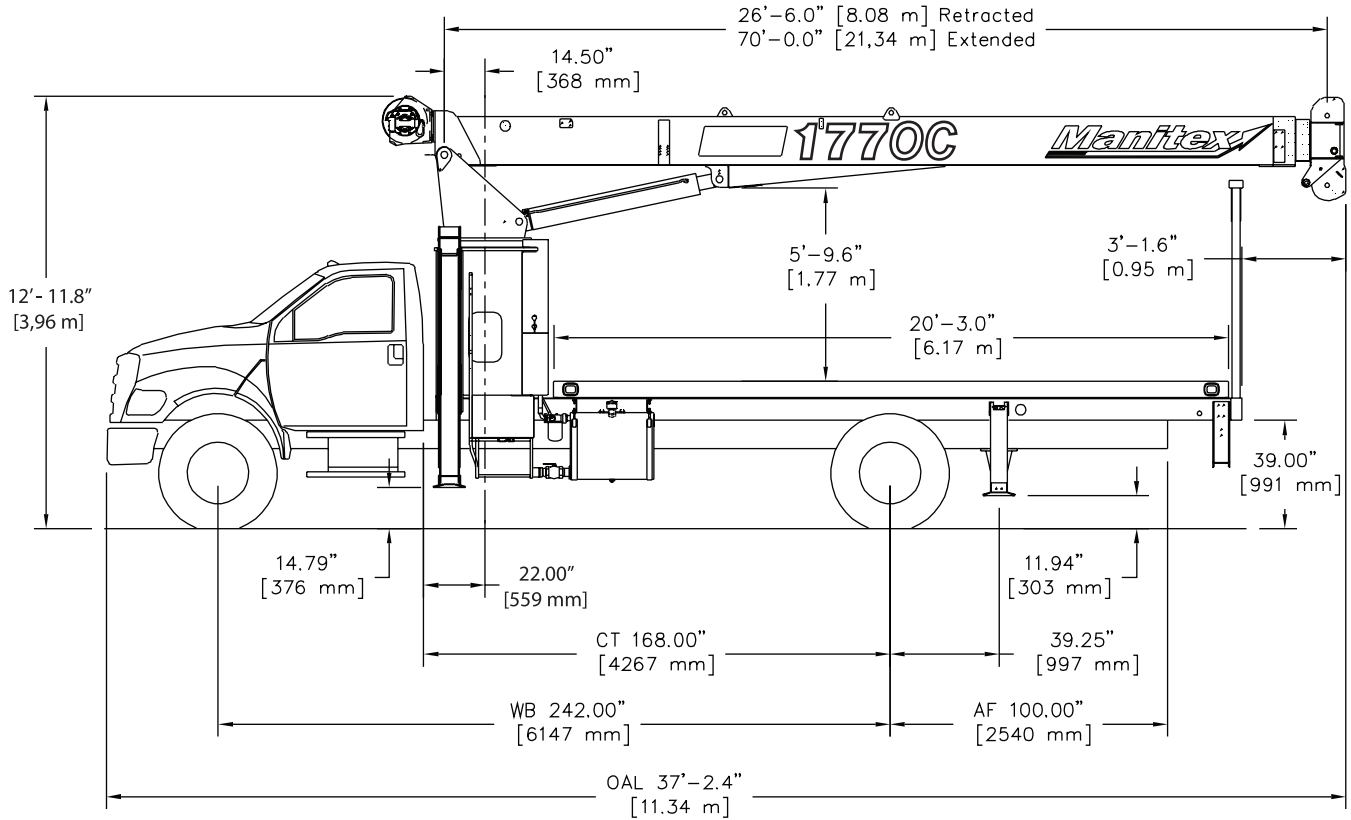
BOOM

- 17 Ton (15,5 mt) capacity at 5' (1,5 m) radius
- 3-Section 70' (21,3 m) proportional boom
- 3-Sheave quick reeve boom point

HOIST

- Maximum theoretical line speed 300 fpm (91 mpm)
- Maximum theoretical bottom-layer line pull 11,500 lb (5,216 kg)
- Wire Rope – 300' (91,4 m) of 9/16" (14,3 mm) diameter 6 x 25 EIPS IWRC

In order to ensure continuous improvement, Manitex reserves the right to change design and specifications without notice.



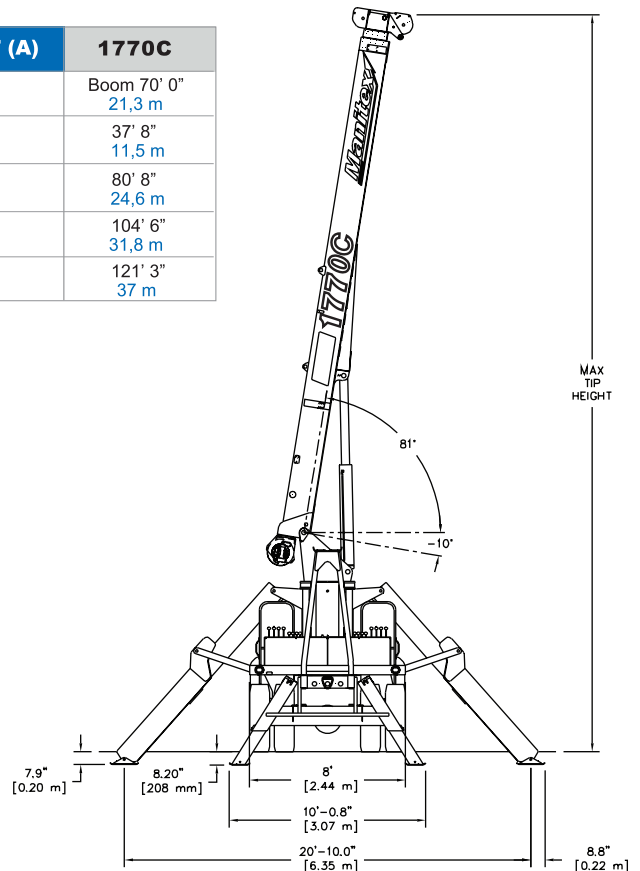
CHASSIS DATA	1770C
Wheelbase (WB)	242" 6 147 mm
Cab to Axle (CA)	168" 4 267 mm
After Frame (AF)	90" 2 286mm
Frame Section Modulus at 180°/360° Rotation (Minimum)	15.9 in3 110,000 psi 758 422 kPa
Front Axle Gross Weight Rating	12,000 lb 5 443 kg
Rear Axle Gross Weight Rating	21,000 lb 9 525 kg
Minimum Truck Axle Weight - Front**	6,000 lb 2 721 kg
Minimum Truck Axle Weight - Back**	4,000 lb 1 814 kg
Nominal Frame Width	34"-35" 864 - 889 mm

**Minimum chassis weight is required to meet 85% stability requirements. Chassis data is general-not for engineering. Some dimensions depend on truck selection.

WEIGHTS	1770C
Total Crane* Less Jib	14,625 lb 6 634 kg
Fixed Jib 23.6' (7,19 m)	532 lb 241 kg
Telescopic Jib 23.6' (7,19 m) - 40.6' (12,37 m)	823 lb 373 kg
Flatbed 20' (6,10 m)	1,907 lb 865 kg

*Flatbed weight not included in crane weight.

MAXIMUM TIP HEIGHT (A)	1770C
Configuration	Boom 70' 0" 21,3 m
Retracted Boom	37' 8" 11,5 m
Extended Boom	80' 8" 24,6 m
Fixed or Retracted Jib	104' 6" 31,8 m
Extended Jib	121' 3" 37 m



STANDARD COMPONENTS INCLUDE:

Boom, boom hoist cylinder, 2-speed winch, load line and 5 ton (4,5 mt) overhaul ball, turret, pedestal, dual operator control stations, LMI & ATB protection systems, sub-frame, a-frame link outriggers, a-frame rear stabilizers, hydraulic reservoir and boom rest.

HYDRAULICS

- 8-Bolt direct mounted PTO with SAE B or SAE BB output
- Three-section gear pump, SAE BB input (standard)

Pump Section	2000 RPM	2000 RPM
Shaft End Pump:	32.4 GPM @ 100 PSI	123 LPM @ 100 PSI
Center Pump:	20.6 GPM @ 100 PSI	78 LPM @ 100 PSI
Cover End Pump:	10 GPM @ 100 PSI	38 LPM @ 100 PSI

- Hydraulic reservoir - 70 gallon (265 liter) capacity

WARNING SYSTEMS

- LMI with display and crane function shut-offs for overload protection
- Anti-two block system

OPTIONS

- Rear mount configuration (consult factory)
- Wireless LMI and ATB system
- 20' (6,2 m) Flatbed - wood or 1/8" steel deck
- 20' (6,2 m) Heavy hauler flatbed - 3/16" steel deck w/rub rails
- 24" (610 mm) Bulkhead
- 23.6' (7,2 m) Fixed jib
- 23.6' (7,2 m) - 40.6' (12,4 m) 2-Section telescopic jib
- Rotation resistant wire rope, 9/16" (14,3 mm) diameter
- Load block - 1 sheave
- Front center stabilizer

BOOM

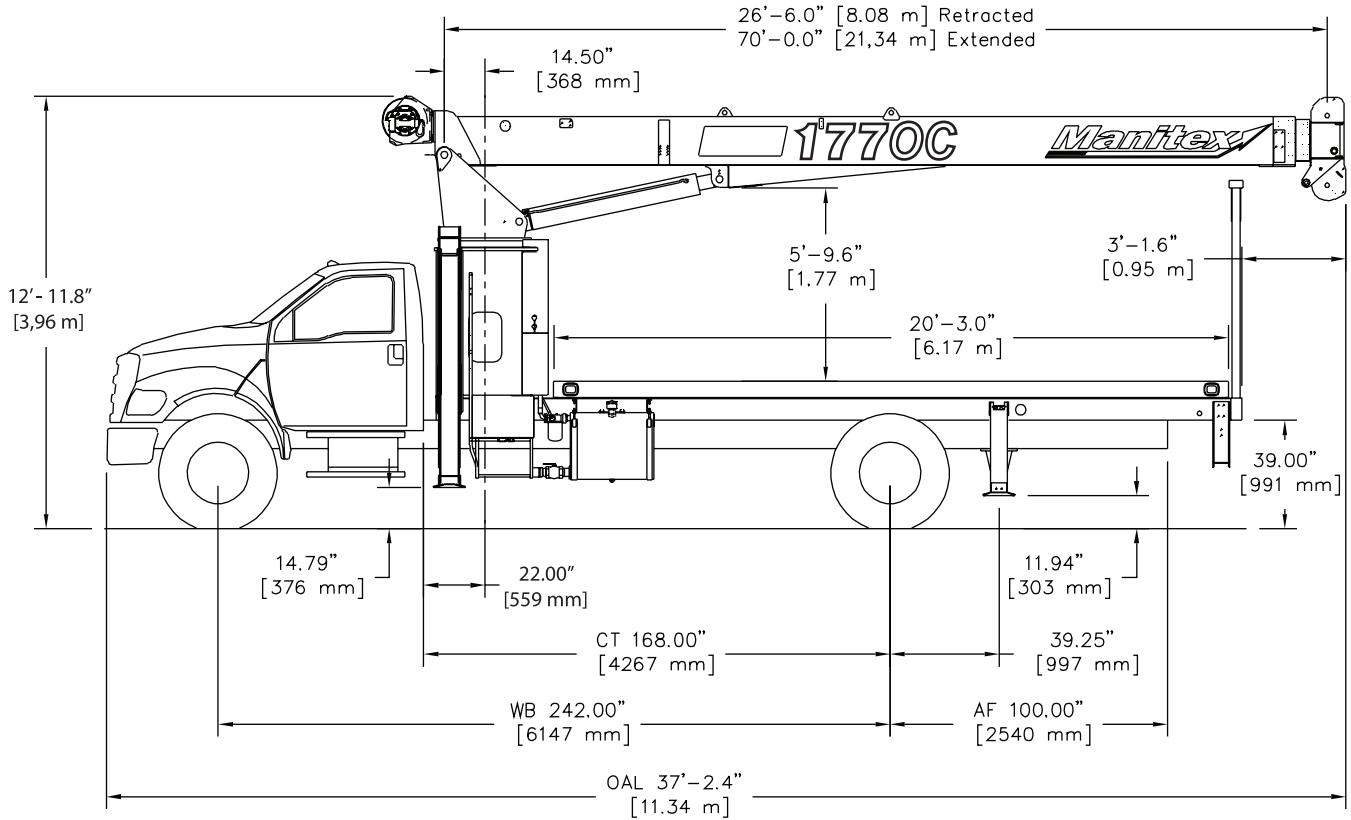
- 17 Ton (15,5 mt) capacity at 5' (1,5 m) radius
- 3-Section 70' (21,3 m) proportional boom
- 3-Sheave quick reeve boom point

HOIST

- Maximum theoretical line speed 300 fpm (91 mpm)
- Maximum theoretical bottom-layer line pull 11,500 lb (5,216 kg)
- Wire Rope – 300' (91,4 m) of 9/16" (14,3 mm) diameter 6 x 25 EIPS IWRC

In order to ensure continuous improvement, Manitex reserves the right to change design and specifications without notice.

- Hydraulic oil cooler
- Hose reel - boom mounted
- Toolboxes
 - 24" L x 20" W x 18" H (610 mm x 508 mm x 457 mm)
 - 48" L x 18" W x 18" H (1220 mm x 457 mm x 457 mm)
- 2-Person gravity leveled non-rotating basket - 600 lb (272 kg) capacity
- 2-Person gravity leveled rotating (manual) basket - 1200 lb (544 kg) capacity
- 4-Function radio remote crane control system
- Three section vane pump, SAE B input



CHASSIS DATA	1770C
Wheelbase (WB)	242" 6 147 mm
Cab to Axle (CA)	168" 4 267 mm
After Frame (AF)	90" 2 286mm
Frame Section Modulus at 180°/360° Rotation (Minimum)	15.9 in3 110,000 psi 758 422 kPa
Front Axle Gross Weight Rating	12,000 lb 5 443 kg
Rear Axle Gross Weight Rating	21,000 lb 9 525 kg
Minimum Truck Axle Weight - Front**	6,000 lb 2 721 kg
Minimum Truck Axle Weight - Back**	4,000 lb 1 814 kg
Nominal Frame Width	34"-35" 864 - 889 mm

**Minimum chassis weight is required to meet 85% stability requirements. Chassis data is general-not for engineering. Some dimensions depend on truck selection.

WEIGHTS	1770C
Total Crane* Less Jib	14,625 lb 6 634 kg
Fixed Jib 23.6' (7,19 m)	532 lb 241 kg
Telescopic Jib 23.6' (7,19 m) - 40.6' (12,37 m)	823 lb 373 kg
Flatbed 20' (6,10 m)	1,907 lb 865 kg

*Flatbed weight not included in crane weight.

MAXIMUM TIP HEIGHT (A)	1770C
Configuration	Boom 70' 0" 21,3 m
Retracted Boom	37' 8" 11,5 m
Extended Boom	80' 8" 24,6 m
Fixed or Retracted Jib	104' 6" 31,8 m
Extended Jib	121' 3" 37 m

