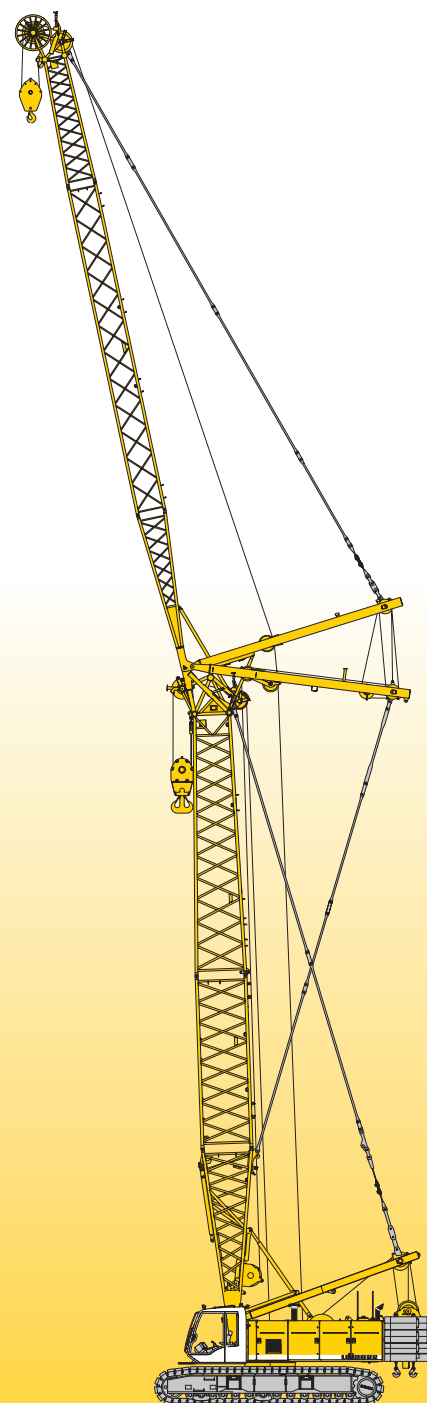


**Technical data**  
**Hydraulic lift crane**

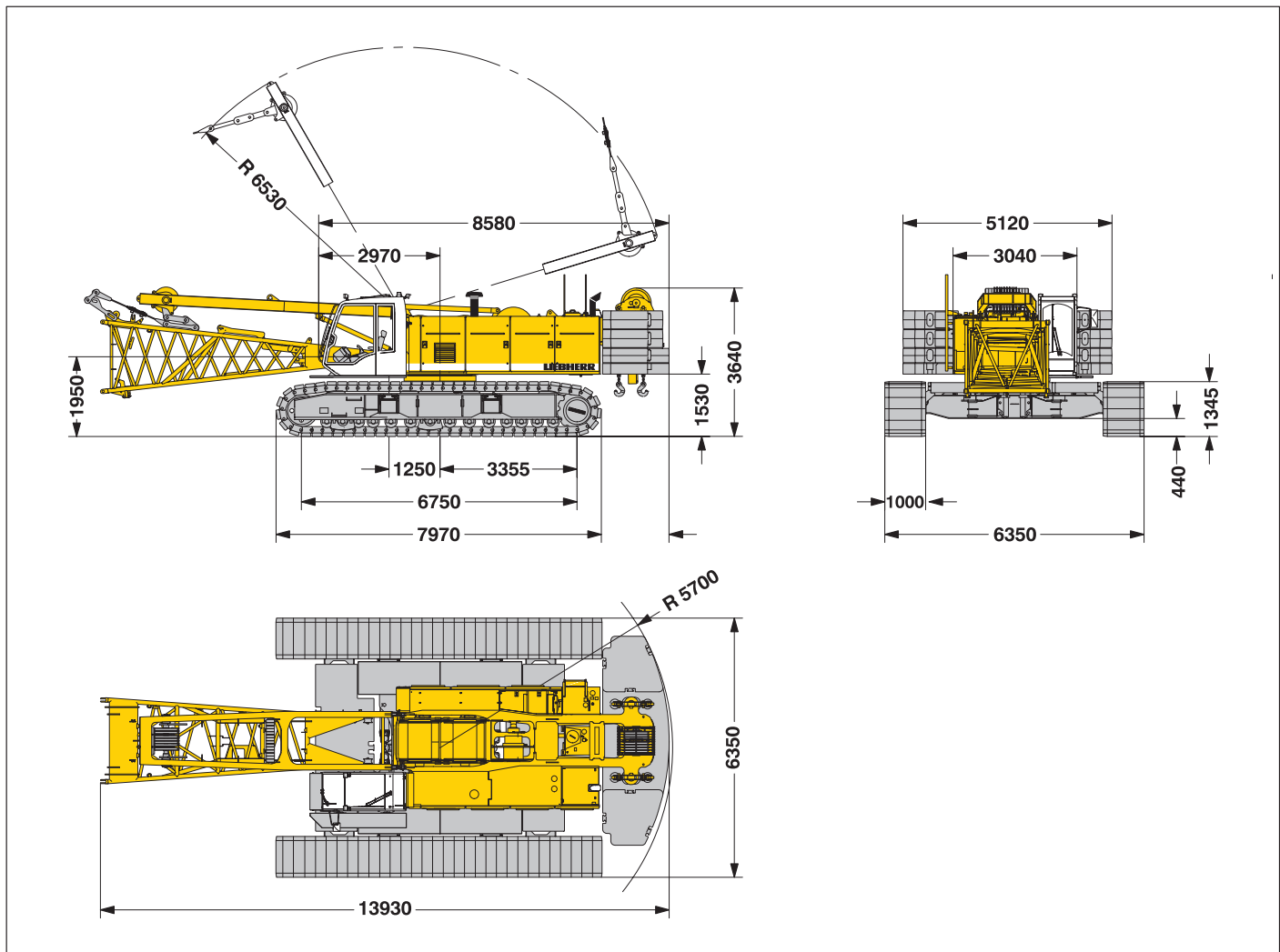
**LR 1130**  
Litronic®



**LIEBHERR**

# Dimensions

## Basic machine with undercarriage



## Operating weight

The operating weight includes the basic machine with crawlers, 2 main winches 120 kN and 17 m main boom, consisting of A-frame, boom foot (7 m), boom head (10 m), 50.9 t basic counterweight, 20 t carbody counterweight and 160 t hook block.

Total weight \_\_\_\_\_ approx. 146.1 t

## Ground pressure

Ground bearing pressure \_\_\_\_\_ 1.08 kg/cm<sup>2</sup>

## Equipment

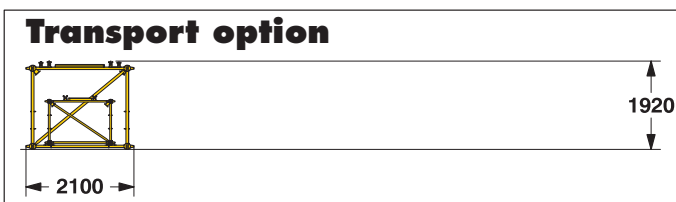
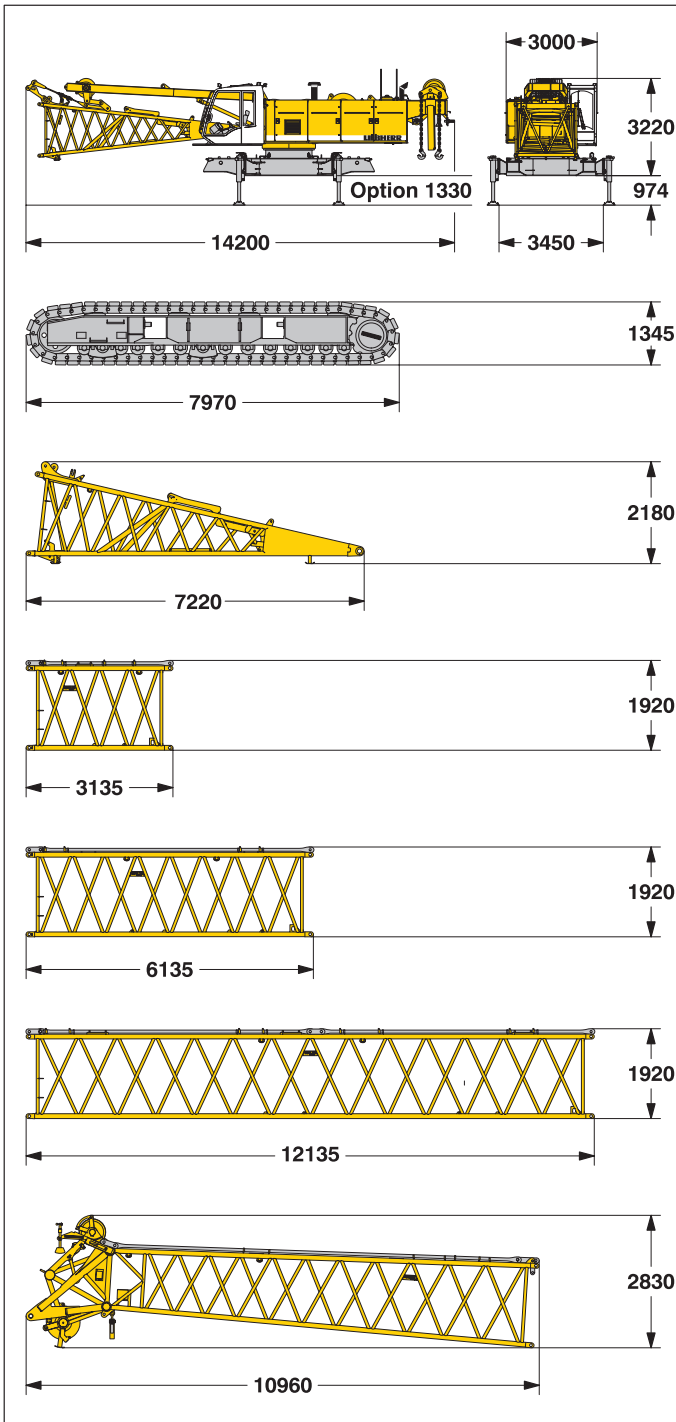
Main boom (No. 2017.xx) max. length \_\_\_\_\_ 80.0 m  
 High reach (No. 2017.xx and 1309.xx) \_\_\_\_\_ 92.9 m  
 Luffing jib (No. 1309.xx) max. length \_\_\_\_\_ 78.5 m  
 Max. combination \_\_\_\_\_ boom 47.0 m and luffing jib 78.5 m  
 Fixed jib (No. 0806.xx) \_\_\_\_\_ 11 m – 32 m  
 Auxiliary jib 24 t lifting capacity (option 36 t)

## Remarks

1. The lifting capacities stated are valid for lifting operation only (corresponds with crane classification according to F.E.M. 1.001, crane group A1)
2. Crane standing on firm, horizontal ground.
3. The weight of the lifting device (hoisting ropes, hook block, shackle etc.) must be deducted from the gross lifting capacity to obtain a net lifting value.
4. Additional equipment on boom (e.g. boom walkways, auxiliary jib) must be deducted to get the net lifting capacity.
5. For max. wind speed please refer to lift chart in operator's cab or manual.
6. Working radii are measured from centre of swing and under load.
7. The lifting capacities are valid for 360 degrees of swing.
8. Calculation of stability under load is based on DIN 15019 / part 2 / chart 1 and ISO 4305 Table 1 + 2, tipping angle 4°.
9. The structures are calculated according to F.E.M. 1.001 – 1998 (EN 13001–2 / 2004).

# Transport dimensions and weights

Basic machine and boom (No.2017.xx)



\*) Including pendants

## Basic machine

with A-frame, 2x 120 kN crane winches and boom foot, without hoisting ropes, basic counterweight and crawlers

Width	mm	3000
Weight	kg	33400

## Crawler

2x

Flat track shoes	mm	(option 1200) 1000
Width	mm	1400
Weight	kg	16000

## Boom foot (No. 2017.24) without winches

Width	mm	2380
Weight	kg	2400

## Boom section (No. 2017.21)

3 m

Width	mm	2100
Weight*	kg	650

## Boom section (No. 2017.21)

6 m

Width	mm	2100
Weight*	kg	1040

## Boom section (No. 2017.21)

12 m

Width	mm	2100
Weight*	kg	1900

## Boom head (No. 2017.21)

Width	mm	2100
Weight*	kg	3150

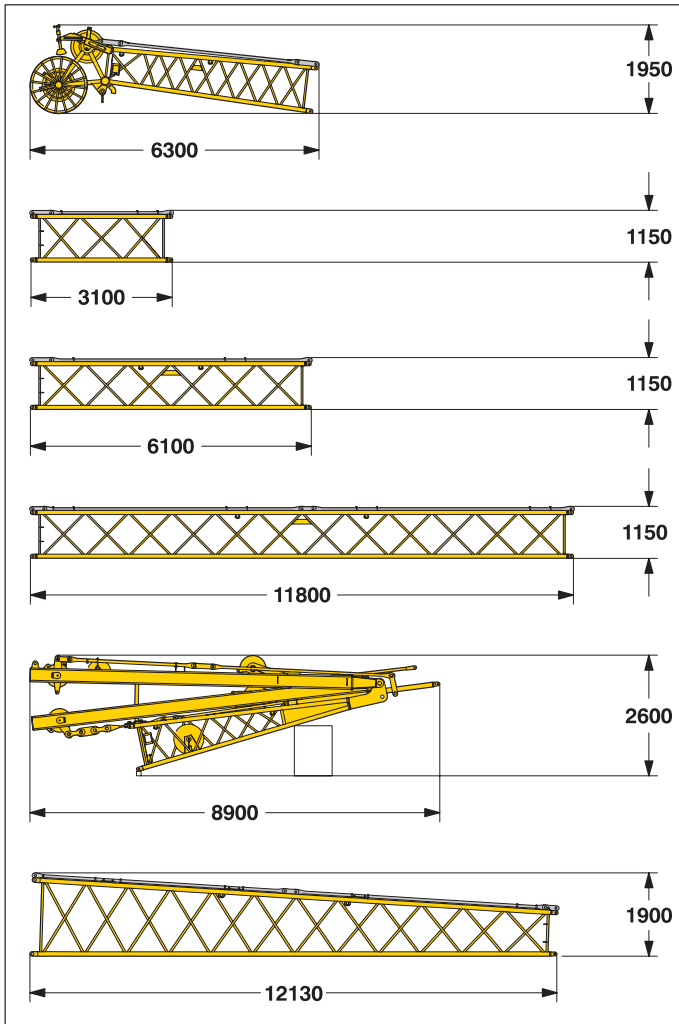
## Boom - luffing jib transport option

12 m boom – and 11.7 m jib extension  
6 m boom – and 6.0 m jib extension

(No. 2017.xx/1309.xx)	6m/6m	12m/11.7m	
Length	mm	6130	12130
Weight*	kg	1560	2860

# Transport dimensions and weights

## Luffing jib (No. 1309.20)



### Luffing jib head (No. 1309.22)

Width	mm	1500
Weight*	kg	1135

### Luffing jib section (No. 1309.20) **3 m**

Width	mm	1500
Weight*	kg	420

### Luffing jib section (No. 1309.20) **6 m**

Width	mm	1500
Weight*	kg	520

### Luffing jib section (No. 1309.20) **11.7 m**

Width	mm	1500
Weight*	kg	960

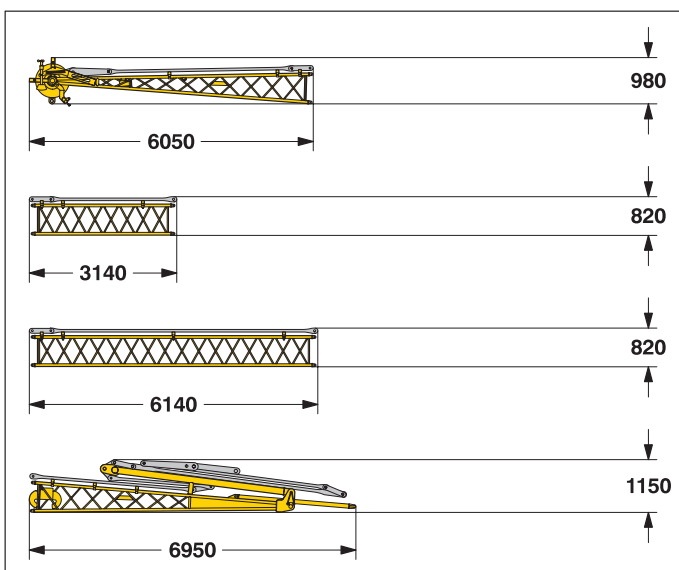
### Luffing jib foot with A-frames (No. 1309.22)

Width	mm	1700
Weight*	kg	4800

### Boom section tapered (No. 2017/1309.20) **12 m**

Width	mm	2100
Weight*	kg	1365

## Fixed jib (No. 0806.16)



### Fixed jib head (No. 0806.16)

Width	mm	1140
Weight*	kg	445

### Fixed jib section (No. 0806.15) **3 m**

Width	mm	950
Weight*	kg	110

### Fixed jib section (No. 0806.15) **6 m**

Width	mm	950
Weight*	kg	195

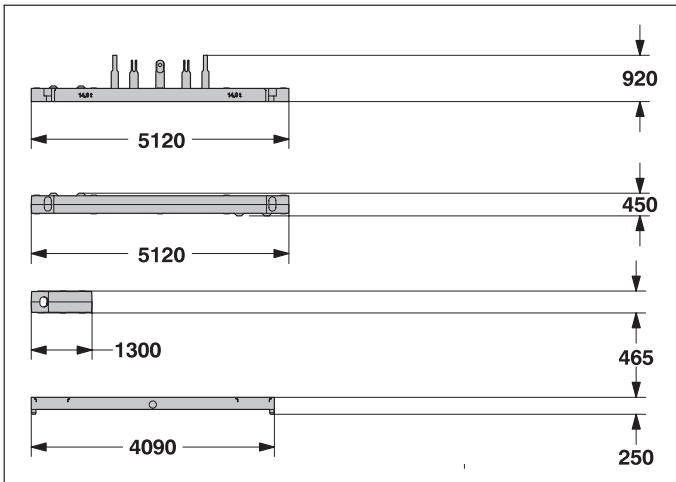
### Fixed jib foot with A-frame (No. 0806.16)

Width	mm	1500
Weight*	kg	930

\*) Including pendants

# Transport dimensions and weights

## Counterweights



### Counterweight **1x**

Width	mm	1660
Weight	kg	14500

### Counterweight **1x**

Width	mm	1660
Weight	kg	16300

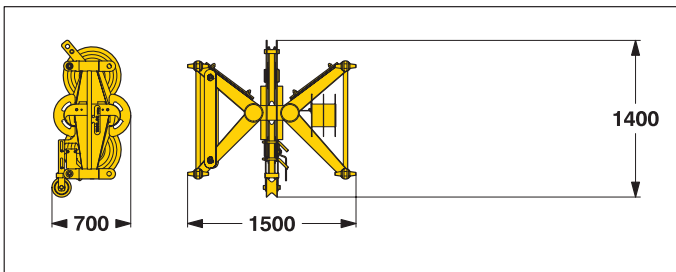
### Counterweight **4x**

Width	mm	1360
Weight	kg	5100

### Carbody counterweight **2x**

Width	mm	1450
Weight	kg	10000

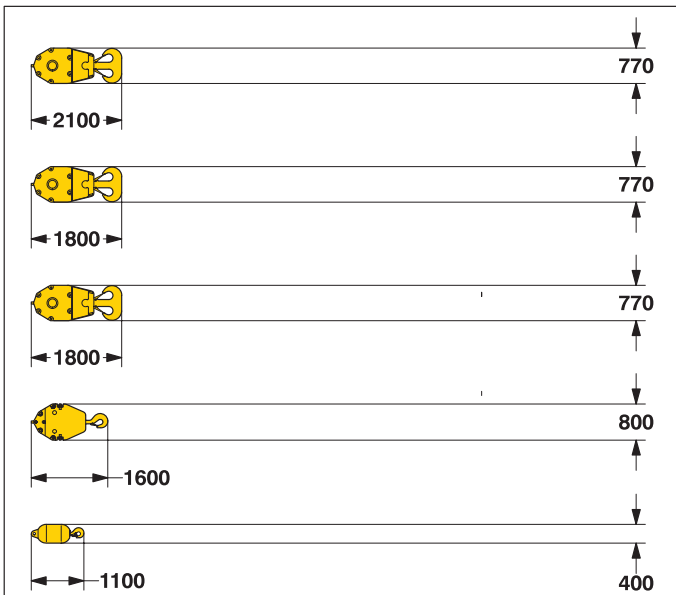
## Mid fall (option)



### Mid fall section (No. 1309.32) **0.35 m**

Width	mm	700
Weight	kg	270

## Hooks



### 160 t hook block - 7 sheaves

Width	mm	640 — 760 — 880
Weight	kg	1500 — 2250 — 3000

### 100 t hook block - 5 sheaves

Width	mm	540 — 670 — 770
Weight	kg	1300 — 1800 — 2300

### 80 t hook block - 3 sheaves

Width	mm	360 — 460 — 560
Weight	kg	1000 — 1500 — 2000

### 40 t hook block - 1 sheave

Width	mm	300 — 400 — 500
Weight	kg	700 — 1100 — 1500

### 12.5 t single hook

Width	mm	400
Weight	kg	600

# Technical description



## Engine

Power rating according to ISO 9249, 270 kW (367 PS) at 2000 rpm  
Engine type ———— Liebherr D 936 L A6  
Fuel tank ———— 830 l capacity with continuous level indicator and reserve warning  
Engine complies with NRMM exhaust certification EPA / CARB Tier 3 and 97/68 EC Stage III



## Hydraulic system

A double axial displacement pump supplies the open loop hydraulic system, allowing all functions to be operated simultaneously. To minimize peak pressure an automatic working pressure cut-off is integrated in the pump. All filters are electronically monitored. The use of synthetic environmentally friendly (biodegradable) oils is possible.  
Working pressure ———— max. 350 bar  
Oil tank capacity ———— 650 l



## Luffing jib winch

Line pull ———— max. 105 kN  
Rope diameter ———— 20 mm  
Jib luffing ———— 46 sec. from 15° to 78°



## Boom winch

Line pull ———— max. 217 kN  
Rope diameter ———— 24 mm  
Boom up ———— 96 sec. from 15° to 86°



## Swing

Consists of rollerbearing with external teeth, swing drive with fixed axial piston hydraulic motor, spring loaded and hydraulically released multi-disc holding brake, planetary gearbox and pinion. Both swing modes are possible – speed control or free swing. A multi-disc holding brake acts automatically at zero swing motion. Swing speed from 0 – 3 rpm continuously variable.



## Main winches

Line pull (1<sup>st</sup> layer) ———— max. 175 kN  
Line pull (7<sup>th</sup> layer) ———— 120 kN  
Rope diameter ———— 26 mm  
Drum diameter ———— 580 mm  
Rope speed m/min ———— 0 – 136  
Rope capacity in 7 layers ———— 489 m  
The winches are outstanding in their compact design and easy assembly. Propulsion is via a planetary gearbox in an oil bath. Load support by the hydraulic system; additional safety factor provided by a spring loaded, multi-disc holding brake. The main winches use pressure controlled, variable flow hydraulic motors. This system features sensors that automatically adjust oil flow to provide max. winch speed depending on load.  
Option – winch with freefall system:  
Clutch and braking functions on the freefall system are provided by a compact designed, low wear and maintenance free multi-disc brake.



## Crawlers

Propulsion through axial piston motor, hydraulically released spring loaded multi-disc brake, crawler tracks, hydraulic chain tensioning device.  
Flat track shoes ———— 1000 mm  
Drive speed ———— 0 – 2.1 km/h



## Control

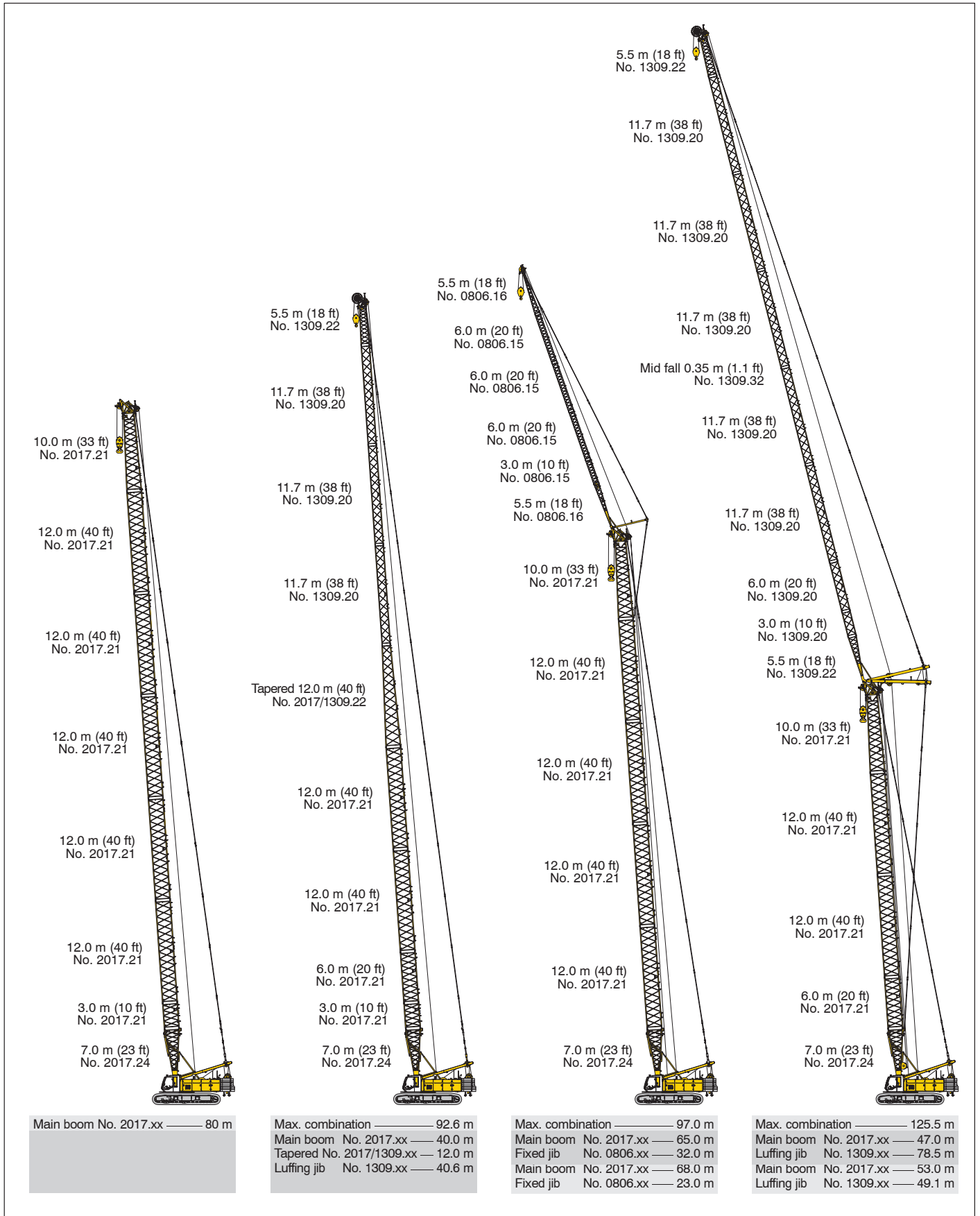
The control system – developed and manufactured by Liebherr – is designed to withstand extreme environmental conditions such as temperature, vibration and electromagnetic interference and to meet all requirements that are needed in heavy duty crane operation. Complete machine operating data are shown on a high resolution display. Standard operational information is displayed by means of graphical symbols, fault indications are displayed in plain text (more than 15 languages available). The cranes are equipped with proportional control for all main movements, which can be carried out simultaneously. The crane is operated with 2 multi-directional joysticks, the right for winch I and boom, the left for winch II and swing control.  
Option:  
Bi-directional double T-levers for simultaneous boom and luffing jib operation.  
The crawlers are activated by the two central foot pedals. Additionally, hand levers can be attached to the pedals.  
Remote control for assembly of counterweight.



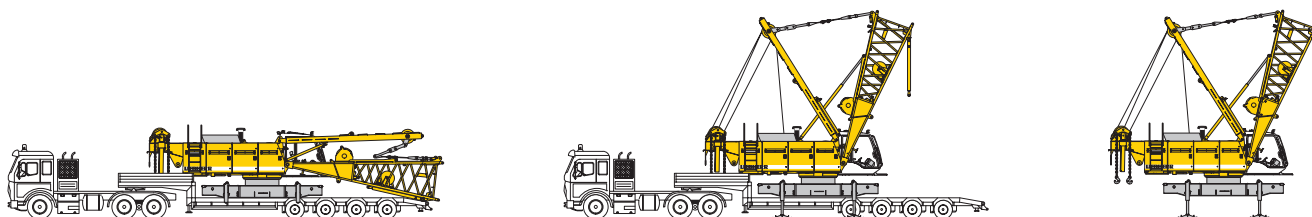
## Noise emission

Noise emissions correspond with 2000/14/EC directive on noise emission by equipment used outdoors.

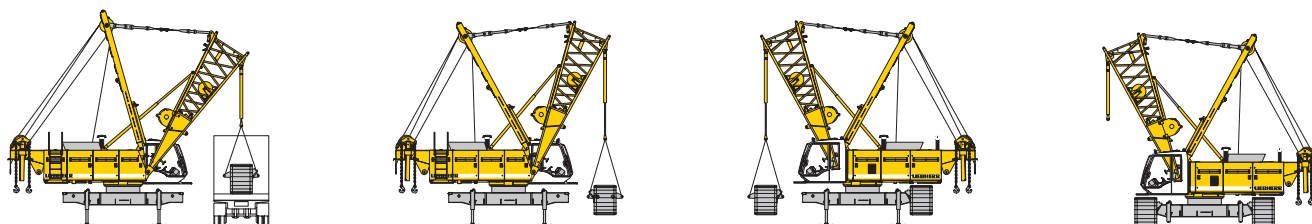
# Boom combinations



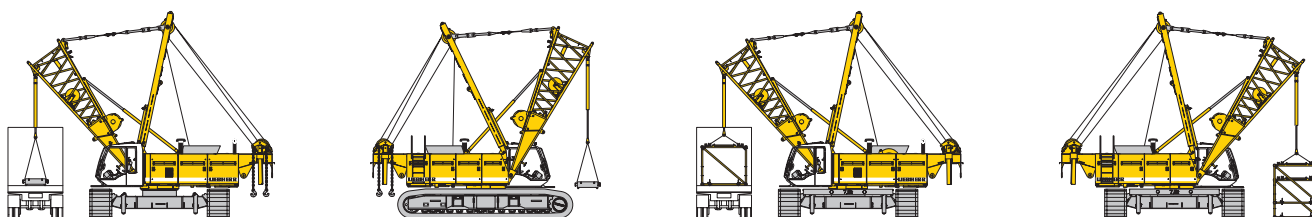
# Self assembly system



Unloading of basic machine

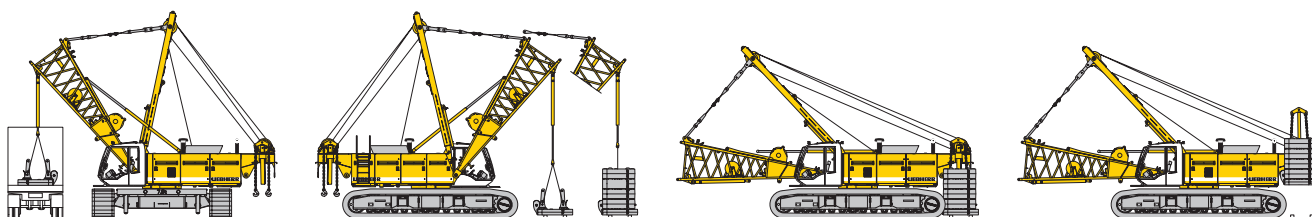


Unloading and assembly of crawlers

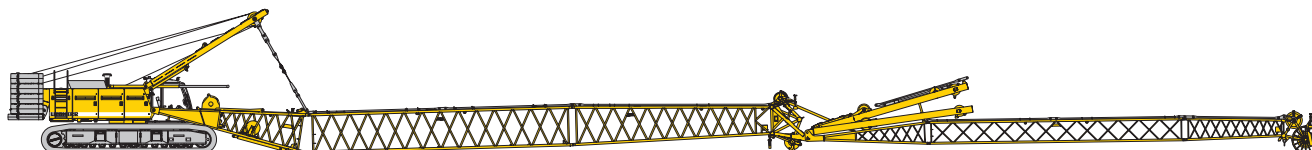


Unloading and assembly of carbody counterweight

Unloading and assembly of boom

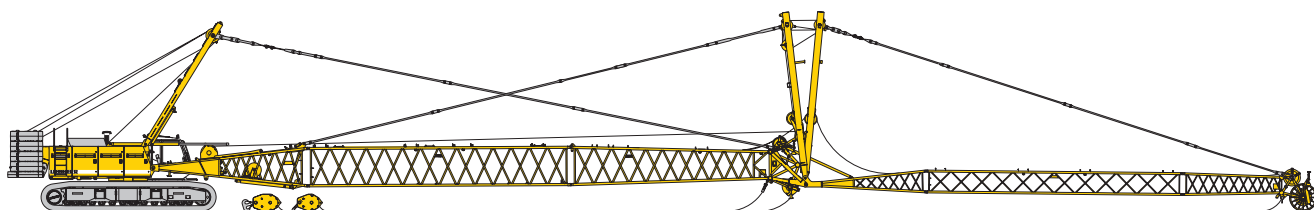


Unloading and assembly of counterweight



Assembly of boom

# Erecting of main boom to working position



Reeving of hoist and luffing jib ropes

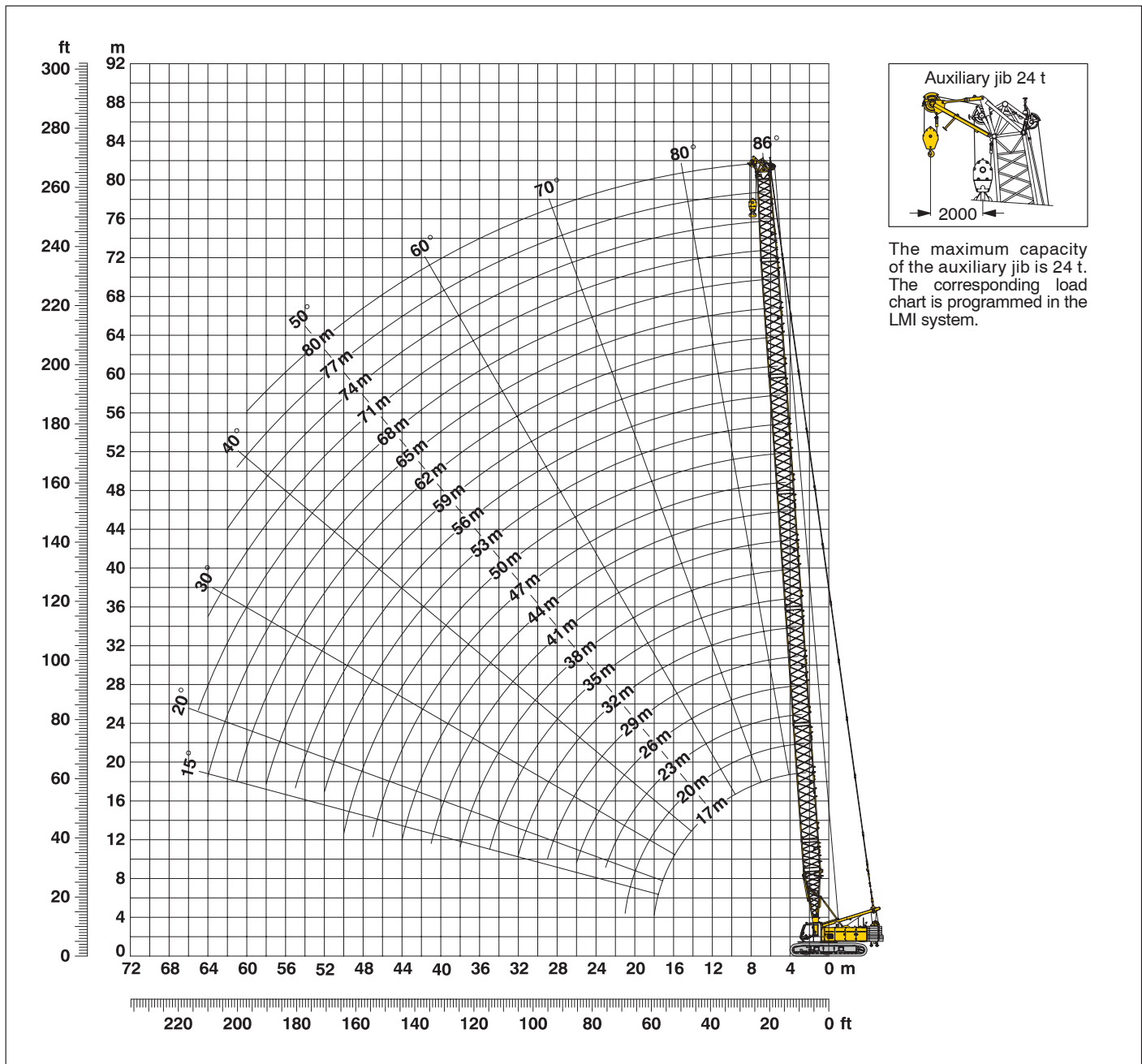


Erecting of main boom and luffing jib

Working position

# Working range - main boom (No. 2017.xx) 86° - 15°

## 50.9 t counterweight and 20 t carbody counterweight



### Main boom configuration (Table 1 – No. 2017.xx)

Configuration for boom lengths (17 m – 80 m)

Configuration	Length	Amount of boom extensions																					
		1	1	1	1	1	1	1	1	1	1	1	1	1	1	1	1	1	1	1	1		
Boom foot	7.0 m	1	1	1	1	1	1	1	1	1	1	1	1	1	1	1	1	1	1	1	1		
Boom insert	3.0 m		1		1		1		1		1		1		1		1		1		1		
Boom insert	6.0 m			1	1		1		1		1		1		1		1		1		1		
Boom insert	12.0 m					1	1	1	1	2	2	2	2	3	3	3	3	4	4	4	4	5	5
Boom head	10.0 m	1	1	1	1	1	1	1	1	1	1	1	1	1	1	1	1	1	1	1	1	1	
Boom length (m)		17	20	23	26	29	32	35	38	41	44	47	50	53	56	59	62	65	68	71	74	77	80

# Lift chart for main boom (No. 2017.xx)

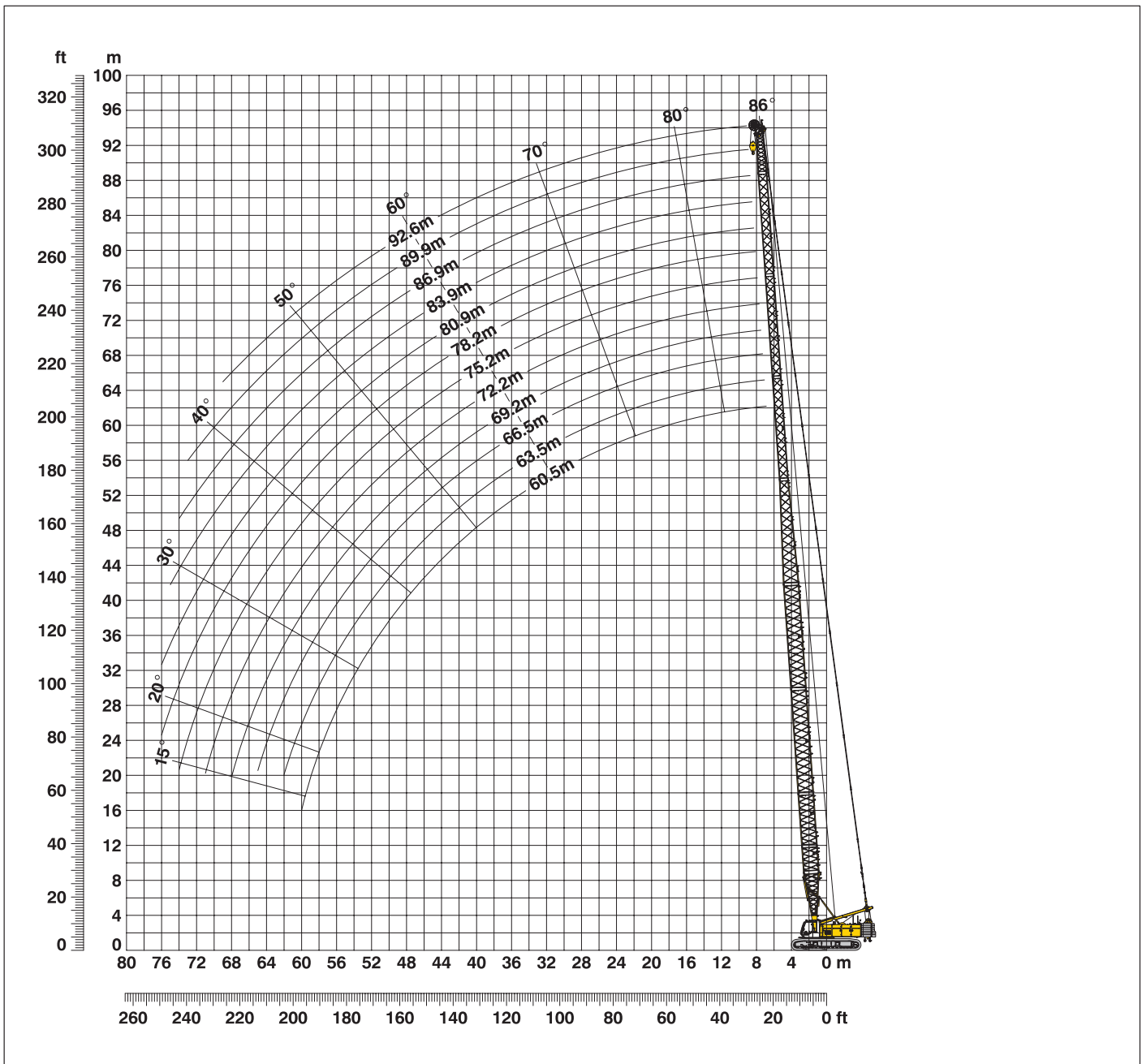
Capacities in metric tons for boom lengths (17 m – 80 m) – with 120 kN winches  
50.9 t counterweight and 20 t carbody counterweight

Radius	Boom length in (m)												Radius	
	17	20	26	32	38	44	50	56	62	68	74	80		
(m)	t	t	t	t	t	t	t	t	t	t	t	t	t	(m)
3.4	137.2													3.4
4	137.2	133.4												4
5	112.8	108.4	106.9	97.3	79.4									5
6	94.8	97.3	87.0	87.7	74.6	62.0	52.7							6
7	85.7	77.6	81.1	73.9	68.3	55.7	50.3	44.5	36.7	29.1				7
8	73.0	74.1	71.1	67.7	61.9	52.4	46.6	42.5	35.0	28.9	23.4	18.9		8
9	64.9	63.4	61.7	61.2	56.1	48.6	44.1	41.2	33.9	27.7	22.6	18.8		9
10	60.2	56.4	57.0	52.3	52.3	44.4	41.5	39.2	32.9	26.7	21.8	18.0		10
12	49.4	49.4	44.4	45.3	42.2	39.4	37.4	36.2	30.3	24.7	20.4	16.9		12
14	40.8	40.8	40.7	38.9	38.2	33.0	31.2	32.0	28.4	22.2	19.0	15.6		14
16	34.0	33.9	32.9	33.9	31.2	30.6	28.3	27.9	25.4	21.0	18.0	14.7		16
18	12.1	29.1	29.0	28.9	28.7	27.2	25.7	24.9	21.7	19.4	16.7	13.8		18
20		25.2	25.2	25.1	24.9	24.5	21.4	22.0	21.0	18.2	15.6	12.9		20
22			22.1	22.0	21.2	21.6	20.2	19.8	19.0	17.2	14.6	10.9		22
24			19.6	19.6	19.3	19.1	18.9	18.0	17.1	15.7	13.9	10.4		24
26			17.5	17.5	17.3	17.1	16.8	16.5	15.5	14.3	12.8	10.1		26
28				15.8	15.6	15.4	15.1	14.9	14.2	13.1	10.8	9.5		28
30				14.3	14.1	13.9	13.6	13.4	13.1	12.2	10.2	9.0		30
32				13.0	12.8	12.6	12.4	12.1	11.0	11.2	9.7	8.5		32
34					11.8	11.4	11.3	10.8	10.3	10.3	9.3	8.1		34
36					10.8	10.6	10.4	10.1	9.6	9.4	8.7	7.8		36
38					9.9	9.7	9.5	9.2	8.9	8.6	8.0	7.4		38
40						9.0	8.7	8.4	8.1	7.9	7.3	6.8		40
42						8.2	8.0	7.7	7.4	7.2	6.7	6.2		42
44						7.6	7.3	7.1	6.8	6.5	6.1	5.7		44
46							6.8	6.5	6.2	6.0	5.6	5.2		46
50								5.7	5.5	5.2	4.9	4.6	4.3	50
55									4.4	4.2	3.9	3.6	3.3	55
60										3.3	3.0	2.7	2.4	60
65											2.3			65

Above lift chart is for reference only. For actual lift duty please refer to lift chart in operator's cab or manual.

# L – boom high reach (No. 2017 / 1309.xx) **60.5 m – 92.9 m**

**Working range 86° – 15°**



## L – boom configuration with 40 m main boom (No. 2017.xx / No. 1309.xx)

### Configuration for L – boom lengths (60.5 m – 92.6 m)

Configuration	Length	Amount of boom and luffing jib extensions											
		1	1	1	1	1	1	1	1	1	1	1	1
Boom foot	7.0 m	1	1	1	1	1	1	1	1	1	1	1	1
Boom insert	3.0 m	1	1	1	1	1	1	1	1	1	1	1	1
Boom insert	6.0 m	1	1	1	1	1	1	1	1	1	1	1	1
Boom insert	12.0 m	2	2	2	2	2	2	2	2	2	2	2	2
Tapered	12.0 m	1	1	1	1	1	1	1	1	1	1	1	1
Luffing insert	3.0 m	1		1		1		1		1		1	
Luffing insert	6.0 m		1	1			1	1			1	1	
Luffing insert	11.7 m				1	1	1	1	2	2	2	2	3
Luffing jib head	5.5 m	1	1	1	1	1	1	1	1	1	1	1	1
Max. L – boom length (m)		60.5	63.5	66.5	69.5	72.2	75.2	78.2	80.9	83.9	86.9	89.9	92.6

# Lift chart for L – boom (No. 2017 / 1309.xx)

## Main boom length 40 m

Capacities in metric tons 50.9 t counterweight and 20 t carbody counterweight					
	Boom length in (m)				
	60.5	72.2	80.9	89.9	92.6
Radius (m)	t	t	t	t	t
6	40.0				
7	39.5	21.7			
8	37.8	21.3	13.4		
9	34.6	20.7	12.8	7.7	6.8
12	29.3	18.6	11.2	6.9	6.0
14	25.6	17.5	10.4	6.4	5.6
16	22.3	16.3	9.7	6.1	5.3
18	19.9	15.4	9.0	5.6	5.0
20	18.2	14.2	8.5	5.3	4.7
22	16.7	13.3	7.9	5.0	4.5
24	15.6	12.6	7.5	4.8	4.2
26	14.4	10.8	7.1	4.6	4.0
28	13.1	10.5	6.5	4.4	3.9
30	11.7	10.2	6.1	4.1	3.7
32	11.5	9.5	5.7	3.8	3.4
34	10.5	8.8	5.4	3.6	3.2
36	9.6	8.3	5.2	3.4	3.0
38	8.9	7.8	5.0	3.3	2.8
40	8.3	7.2	4.9	3.2	2.7
42	7.6	6.7	4.7	3.1	2.7
44	7.1	6.3	4.6	3.0	2.6
46	6.6	5.9	4.4	2.9	2.5
50	5.7	5.2	4.2	2.7	2.4
55	4.8	4.4	3.7	2.6	2.2
60	4.0	3.7	3.2	2.3	2.1
65		3.2	2.7	2.1	2.1
70		2.6	2.2	2.3	
75			2.2		

## Main boom length 52 m

Capacities in metric tons 50.9 t counterweight and 20 t carbody counterweight					
	Boom length in (m)				
	72.5	78.5	84.2	90.2	92.9
Radius (m)	t	t	t	t	t
6.9	26.5				
8	26.1	20.3	16.0		
9	25.3	20.0	15.8	11.2	9.3
12	22.7	18.4	14.6	10.4	8.5
14	21.3	17.3	13.8	9.9	8.0
16	19.2	16.0	13.1	9.4	7.5
18	17.7	14.8	12.4	8.9	7.0
20	15.6	13.7	10.4	8.5	6.6
22	13.9	12.4	9.6	8.1	6.2
24	12.8	10.0	8.8	7.4	5.9
26	11.5	9.5	8.2	6.9	5.6
28	11.1	9.1	7.8	6.5	5.4
30	10.8	8.8	7.5	6.2	5.1
32	9.8	8.6	7.3	6.0	4.8
34	8.9	7.9	7.1	5.8	4.6
36	8.2	7.3	6.6	5.6	4.4
38	7.6	6.8	6.1	5.3	4.2
40	7.0	6.4	5.7	4.9	4.0
42	6.4	6.0	5.3	4.6	3.9
44	5.9	5.5	5.0	4.3	3.8
46	5.5	5.1	4.6	4.0	3.6
48	5.1	4.7	4.3	3.7	3.6
50	4.8	4.4	4.0	3.4	3.3
55	4.0	3.6	3.4	2.8	2.7
60	3.3	3.1	2.8	2.3	2.3
65	2.8	2.5	2.3	2.3	2.2
70	2.3	2.1	2.1		
75		2.0			

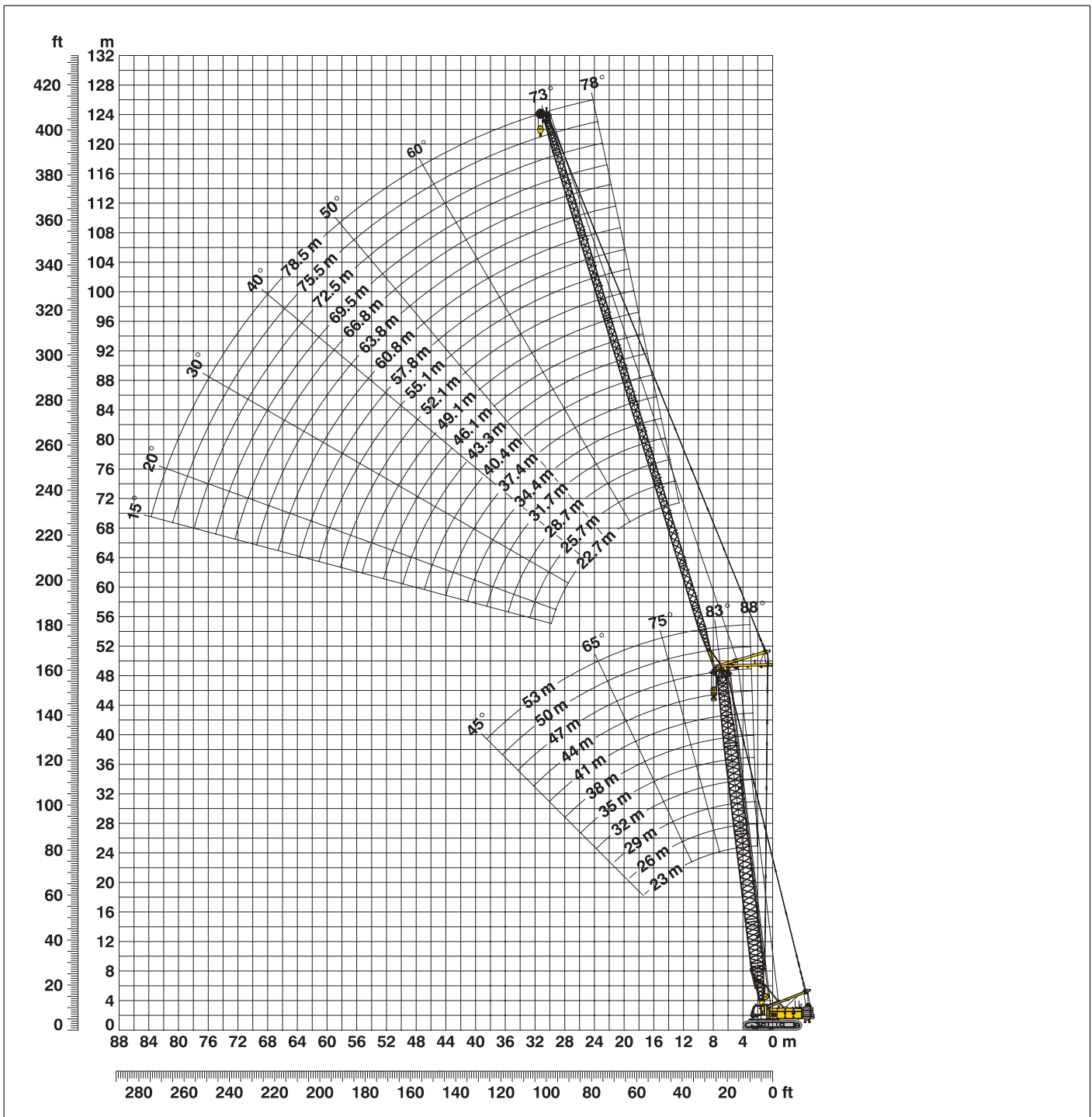
Above lift chart is for reference only. For actual lift duty please refer to lift chart in operator's cab or manual.

## L – boom configuration with 52 m main boom (No. 2017.xx / No. 1309.xx)

Configuration for L – boom lengths (72.5 m – 92.9 m)									
	Length	Amount of boom and luffing jib extensions							
Boom foot	7.0 m	1	1	1	1	1	1	1	1
Boom insert	3.0 m	1	1	1	1	1	1	1	1
Boom insert	6.0 m	1	1	1	1	1	1	1	1
Boom insert	12.0 m	3	3	3	3	3	3	3	3
Tapered	12.0 m	1	1	1	1	1	1	1	1
Luffing insert	3.0 m			1		1		1	
Luffing insert	6.0 m		1	1			1	1	
Luffing insert	11.7 m				1	1	1	1	2
Luffing jib head	5.5 m	1	1	1	1	1	1	1	1
Max. L – boom length (m)		72.5	75.5	78.5	81.2	84.2	87.2	90.2	92.9

# Working range - luffing jib (No. 1309.xx) 78° - 15°

## Main boom 88° - 45°



**Boom configuration for main boom lengths (23 m - 53 m)** – see table 1 on page 10  
**Jib configuration for jib lengths (22.7 m - 78.5 m)**

	Length	Amount of luffing jib extensions																			
Luffing jib foot	5.5 m	1	1	1	1	1	1	1	1	1	1	1	1	1	1	1	1	1	1	1	
Luffing jib insert	3.0 m		1		1		1		1		1		1		1		1		1		
Luffing jib insert	6.0 m			1	1		1	1		1	1		1	1		1	1		1	1	
Luffing jib insert	11.7 m	1	1	1	1	2	2	2	2	3	3	3	3	4	4	4	4	5	5	5	5
Luffing jib head	5.5 m	1	1	1	1	1	1	1	1	1	1	1	1	1	1	1	1	1	1	1	1
Luffing jib length (m)		22.7	25.7	28.7	31.7	34.4	37.4	40.4	43.4	46.1	49.1	52.1	55.1	57.8	60.8	63.8	66.8	69.5	72.5	75.5	78.5

# Lift chart – luffing jib (No. 1309.xx)

## Main boom angle 88°

### Main boom 23 m

Radius (m)	Jib length in (m)							
	22.7	28.7	34.4	40.4	49.1	60.8	69.5	78.5
8.2	t	t	t	t	t	t	t	t
10	43.3							
11	38.5	33.8						
12	34.9	31.7	26.3					
14	33.1	29.6	25.6	20.1				
17	28.8	26.3	22.9	19.3	13.3			
18	22.9	21.9	19.9	17.6	12.4	7.7		
20	22.2	20.6	18.9	17.0	12.1	7.6	5.8	
22	19.8	18.5	17.3	15.4	11.2	7.3	5.0	3.6
24	18.1	16.9	15.7	14.2	10.7	6.9	4.8	3.1
30	16.7	15.3	14.5	13.2	10.1	6.7	4.7	2.9
36		11.7	11.3	10.9	8.9	6.1	4.3	2.6
42			9.5	9.1	7.9	5.7	4.0	2.3
50				7.9	6.8	5.3	3.7	2.1
55					5.4	4.6	3.3	2.1
60						4.2	3.1	2.0
70						3.6	2.9	2.3

### Main boom 32 m

Radius (m)	Jib length in (m)							
	22.7	28.7	34.4	40.4	49.1	60.8	69.5	78.5
8.5	t	t	t	t	t	t	t	t
10	36.1							
11	33.4	28.8						
13	31.1	27.5	22.9					
15	27.5	24.6	21.6	17.8				
17	24.7	22.0	19.7	17.0	12.2			
19	21.5	20.0	18.0	15.7	11.3	7.0		
22	19.4	18.0	16.4	14.6	10.8	6.9	4.8	
24	16.0	15.6	14.2	13.0	10.1	6.6	4.6	2.9
30	14.2	13.8	13.0	12.1	9.6	6.3	4.5	2.8
36		10.8	10.2	9.9	8.3	5.9	4.1	2.5
38			8.3	7.8	7.3	5.4	3.9	2.3
42				7.3	6.8	5.3	3.8	2.2
46				6.4	5.9	5.0	3.6	2.1
50					5.2	4.5	3.4	2.2
60						4.6	4.0	3.2
65							3.0	2.5
								2.1

### Main boom 38 m

Radius (m)	Jib length in (m)							
	22.7	28.7	34.4	40.4	49.1	60.8	69.5	78.5
8.8	t	t	t	t	t	t	t	t
10	31.5							
12	29.8	25.4						
13	26.5	23.3	20.3					
15	24.8	21.9	19.4	16.4				
17	22.0	19.8	17.8	15.4	11.1			
19	19.6	17.9	16.3	14.2	10.6	6.7		
22	17.7	16.2	14.8	13.2	10.1	6.6	4.6	
24	14.9	14.1	12.9	11.3	9.4	6.3	4.4	2.9
30	13.5	12.7	11.4	10.8	8.8	6.0	4.3	2.7
36		10.0	9.5	9.0	7.6	5.6	4.0	2.4
42			7.8	7.3	6.7	5.1	3.7	2.2
46				6.1	5.4	4.6	3.4	2.0
50					4.9	4.1	3.2	2.1
55					4.4	3.6	3.0	2.0
60						3.2	2.6	
						2.7	2.2	

### Main boom 47 m

Radius (m)	Jib length in (m)							
	22.7	28.7	34.4	40.4	49.1	60.8	69.5	78.5
9.1	t	t	t	t	t	t	t	t
11	25.0							
12	22.6	20.0						
13	21.2	18.9	16.7					
15	20.0	17.9	15.9	13.6				
17	17.9	16.1	14.4	12.7	9.6			
18	15.1	13.9	12.5	11.0	8.9	6.0		
19	14.5	13.1	11.4	10.7	8.5	5.9	4.8	
22	12.7	11.2	10.5	9.3	7.7	5.5	4.1	2.7
26	9.8	9.9	9.1	8.1	6.8	5.1	3.9	2.5
32		7.1	7.6	6.9	5.8	4.5	3.5	2.2
36			6.3	6.3	5.3	4.1	3.3	2.1
42				5.0	4.6	3.6	2.9	2.1
44					4.4	3.5	2.7	2.0
50						3.9	3.0	2.4
55							2.7	2.0
60							2.3	

### Main boom 50 m

Radius (m)	Jib length in (m)							
	22.7	28.7	34.4	40.4	49.1	55.1	60.8	69.5
9.2	t	t	t	t	t	t	t	t
11	22.7							
12	20.8	18.4						
13	19.5	17.4	15.3					
15	18.4	16.4	14.6	12.5				
16	16.5	14.8	13.2	11.5	8.9			
18	15.5	14.0	12.7	11.1	8.8	7.7		
19	14.0	12.8	11.4	10.1	8.2	6.9	5.7	
22	13.4	12.1	10.9	9.8	7.9	6.7	5.6	4.6
26	11.2	10.5	9.7	8.5	7.1	6.0	5.1	3.9
32	8.9	9.3	8.3	7.4	6.2	5.4	4.6	3.6
36		7.0	6.9	6.4	5.3	4.7	4.1	3.2
42			6.2	5.9	4.9	4.3	3.8	3.0
50				4.8	4.3	3.8	3.3	2.6
55					3.7	3.2	2.7	2.1
60						2.9	2.5	
							2.1	

### Main boom 53 m

Radius (m)	Jib length in (m)							
	22.7	25.7	28.7	31.7	34.4	37.4	40.4	49.1
9.3	t	t	t	t	t	t	t	t
10	20.7							
11	20.3	18.6						
12	19.1	17.8	16.9					
13	17.9	16.9	15.9	15.0	14.0			
15	16.9	15.9	15.1	14.2	13.4	12.5	11.4	
20	15.2	14.2	13.6	12.9	12.2	11.3	10.6	8.7
24	11.7	11.0	10.6	10.2	9.6	9.0	8.5	6.9
26	9.8	9.5	9.0	8.6	8.1	7.7	7.2	6.0
28	10.1	8.9	8.4	8.0	7.6	7.1	6.7	5.6
32		7.8	7.9	7.6	7.2	6.7	6.3	5.3
34			6.5	6.7	6.6	6.1	5.8	4.8
36				6.2	6.2	5.9	5.5	4.6
40					5.8	5.6	5.3	4.4
42						4.8	4.8	4.1
50							4.4	3.9
								3.3

Capacities in metric tons with luffing jib (No. 1309.xx) 50.9 t counterweight + 20 t carbody counterweight. Above lift chart is for reference only. For actual lift duty and complete chart with all available configurations please refer to lift chart in operator's cab or manual.

# Lift chart - luffing jib (No. 1309.xx)

Main boom angle 83°

## Main boom 23 m

Radius (m)	Jib length in (m)							
	22.7	28.7	34.4	40.4	49.1	60.8	69.5	78.5
12.2	t	t	t	t	t	t	t	t
14	37.6							
16	33.7	30.1						
18	29.1	27.0	23.6					
20	25.4	22.8	21.9	18.1				
22	22.4	21.0	19.6	17.3	11.8			
24	18.2	17.1	16.2	14.8	10.6	6.8		
26	16.9	15.7	14.9	13.8	10.2	6.6	5.1	
28		14.5	13.9	12.9	9.9	6.5	4.4	
30		13.7	12.9	12.1	9.6	6.3	4.4	2.7
32		12.9	12.1	11.4	9.2	6.1	4.3	2.6
38			10.2	9.5	8.2	5.7	4.0	2.3
44				8.8	7.2	5.4	3.7	2.1
46					7.0	5.2	3.6	2.1
50					6.4	4.9	3.5	2.2
55						4.6	3.2	2.1
60						4.2	3.0	
70							2.6	

## Main boom 32 m

Radius (m)	Jib length in (m)							
	22.7	28.7	34.4	40.4	49.1	60.8	69.5	78.5
13.3	t	t	t	t	t	t	t	t
15	30.4							
17	28.1	24.7						
19	24.9	22.5	20.0					
22	21.7	20.2	18.5	15.9				
24	18.7	17.4	16.1	14.5	10.6			
26	15.7	14.8	13.8	12.7	9.7	6.4		
28	15.2	13.8	13.0	11.5	9.4	6.2	4.4	
30		12.9	12.2	11.0	9.1	6.1	4.2	2.6
34		11.3	10.7	10.1	8.4	5.8	4.0	2.4
38			9.6	9.0	7.8	5.6	3.9	2.3
40				8.6	7.5	5.4	3.8	2.2
44				7.6	6.8	5.2	3.6	2.1
46					6.6	5.1	3.5	2.0
50					5.9	4.7	3.4	2.1
55						4.4	3.2	2.0
65						3.4	2.7	
70							2.5	

## Main boom 38 m

Radius (m)	Jib length in (m)							
	22.7	28.7	34.4	40.4	49.1	60.8	69.5	78.5
14	t	t	t	t	t	t	t	t
16	24.9							
18	22.3	20.1						
20	20.0	18.3	16.6					
22	17.7	16.4	15.1	13.5				
24	16.2	14.9	13.7	12.4	10.0			
26	13.8	12.7	11.4	10.6	8.8	6.0		
28	12.9	11.5	10.9	10.0	8.3	5.9	4.2	
32		10.7	9.8	9.0	7.6	5.6	4.0	2.5
34		10.1	9.4	8.6	7.3	5.4	3.9	2.4
40			8.6	7.4	6.4	4.9	3.6	2.2
46				6.3	5.6	4.4	3.3	2.2
48					5.4	4.2	3.2	2.1
50					5.2	4.1	3.1	2.1
55						3.7	2.8	
65						3.0	2.3	
70							2.1	

## Main boom 47 m

Radius (m)	Jib length in (m)							
	22.7	28.7	34.4	40.4	49.1	60.8	69.5	78.5
15.1	t	t	t	t	t	t	t	t
17	18.1							
19	16.6	14.8						
22	14.8	13.5	12.2					
24	12.6	11.3	10.5	9.5				
28	11.5	10.5	9.6	8.7	7.2			
30	10.3	9.2	8.3	7.6	6.3	4.8		
32	10.3	8.8	7.9	7.1	6.0	4.6	3.6	
36		8.4	7.5	6.7	5.7	4.4	3.4	2.3
38		7.4	6.8	6.1	5.1	4.0	3.2	2.2
40			6.5	5.8	4.9	3.8	3.0	2.1
44			6.2	5.6	4.7	3.6	2.9	2.3
46				5.2	4.4	3.3	2.6	2.0
48				4.9	4.2	3.1	2.4	
50					3.9	2.9	2.2	
55					3.5	2.6	2.2	
65						2.1		

## Main boom 50 m

Radius (m)	Jib length in (m)							
	22.7	28.7	34.4	40.4	49.1	55.1	60.8	69.5
15.5	t	t	t	t	t	t	t	t
18	16.2							
19	14.2	13.0						
22	13.5	12.3	11.0					
24	11.2	10.4	9.6	8.5				
26	10.5	9.5	8.7	7.8	6.4			
28	10.0	8.8	8.1	7.2	6.0	5.2		
30	9.5	8.4	7.5	6.8	5.7	5.0	4.3	
36	8.9	8.0	7.1	6.3	5.4	4.8	4.1	3.1
42		6.8	6.2	5.5	4.6	4.1	3.5	2.8
44			5.4	4.9	4.0	3.5	3.0	2.3
46				4.7	3.9	3.4	2.8	2.2
50				4.5	3.8	3.2	2.7	2.1
55					3.5	3.0	2.5	2.1
60					3.2	2.7	2.2	
65						2.4	2.0	

## Main boom 53 m

Radius (m)	Jib length in (m)							
	22.7	25.7	28.7	31.7	34.4	37.4	40.4	49.1
15.9	t	t	t	t	t	t	t	t
17	14.4							
18	13.7	13.0						
19	13.0	12.4	11.2					
20	12.3	11.4	10.9	10.2				
22	11.3	10.8	10.4	9.9	9.4			
24	10.3	9.9	9.4	9.0	8.6	8.1	7.7	
28	9.6	9.0	8.7	8.2	7.8	7.4	6.9	5.6
30	8.7	8.1	7.5	7.1	6.7	6.4	6.0	5.1
32	8.1	7.7	7.2	6.7	6.3	6.0	5.7	4.8
36		7.3	6.9	6.4	6.0	5.6	5.4	4.6
38			6.2	5.9	5.6	5.2	4.9	4.1
42				5.6	5.4	5.0	4.7	3.9
44					4.9	4.7	4.4	3.6
48						4.4	4.3	3.5
55							3.8	3.2

Capacities in metric tons with luffing jib (No. 1309.xx) 50.9 t counterweight + 20 t carbody counterweight. Above lift chart is for reference only. For actual lift duty and complete chart with all available configurations please refer to lift chart in operator's cab or manual.

# Lift chart – luffing jib (No. 1309.xx)

## Main boom angle 75°

### Main boom 23 m

Radius (m)	Jib length in (m)							
	22.7	28.7	34.4	40.4	49.1	60.8	69.5	78.5
18.3	t	t	t	t	t	t	t	t
22	27.9	22.2						
24	20.7	20.4	19.5					
26	18.7	18.5	17.7	15.8				
30	15.6	15.5	15.1	14.4	9.9			
36		12.3	12.2	11.6	9.2	5.8		
40			10.7	10.2	8.7	5.7	4.0	
42				9.7	8.3	5.6	3.9	2.5
44				9.2	8.0	5.5	3.8	2.2
46				8.7	7.7	5.4	3.8	2.1
48					7.4	5.3	3.7	2.1
50					7.1	5.2	3.6	2.0
55					6.3	4.9	3.4	2.1
60						4.6	3.2	
65						4.2	3.0	
70							2.9	
75							2.7	

### Main boom 32 m

Radius (m)	Jib length in (m)							
	22.7	28.7	34.4	40.4	49.1	60.8	69.5	78.5
20.6	t	t	t	t	t	t	t	t
24	21.5	17.6						
26	17.1	16.3	15.3					
30	15.0	14.0	13.4	12.6				
32	13.9	13.0	12.5	11.7	9.5			
38		11.0	10.4	9.9	8.4	5.6		
40			10.0	9.3	8.0	5.5		
42			9.5	8.9	7.7	5.4	3.8	
44			9.0	8.4	7.4	5.3	3.7	
46				8.1	7.1	5.2	3.7	2.1
48				7.7	6.8	5.1	3.6	2.0
50				7.3	6.5	5.0	3.5	2.2
55					5.9	4.7	3.4	2.1
60						4.4	3.2	
65						4.0	3.0	
70							2.8	
75							2.6	

### Main boom 38 m

Radius (m)	Jib length in (m)							
	22.7	28.7	34.4	40.4	49.1	60.8	69.5	78.5
22.2	t	t	t	t	t	t	t	t
26	17.2	13.7						
28	13.6	12.8	11.8					
30	12.7	11.6	11.1	10.0				
34	12.0	10.5	9.8	9.1	7.7			
40		9.7	8.3	7.7	6.8	5.0		
42			8.0	7.3	6.5	4.9	3.9	
44			7.7	7.0	6.2	4.8	3.4	
46				6.7	5.9	4.7	3.4	2.3
48				6.4	5.6	4.5	3.3	2.0
50				6.2	5.4	4.3	3.3	2.2
55					4.9	3.9	3.0	2.1
60					4.5	3.5	2.8	
65						3.2	2.5	
70						2.9	2.3	
75							2.1	

### Main boom 47 m

Radius (m)	Jib length in (m)							
	22.7	28.7	34.4	40.4	49.1	60.8	69.5	78.5
24.5	t	t	t	t	t	t	t	t
28	11.5	9.2						
30	9.4	8.6	7.9					
32	8.8	8.0	7.4	7.2				
34	8.3	7.6	7.0	6.4				
36	8.0	7.1	6.5	6.0	5.0			
38		6.7	6.2	5.6	4.9			
40		6.5	5.8	5.3	4.6			
42		6.2	5.5	5.1	4.4	3.5		
44			5.3	4.8	4.2	3.3		
46			5.2	4.6	4.0	3.1	2.4	
48			5.0	4.4	3.8	3.0	2.4	
50				4.3	3.6	2.8	2.2	
55					3.2	2.4	2.1	
60					3.0	2.1		
65						2.1		

### Main boom 50 m

Radius (m)	Jib length in (m)							
	22.7	28.7	34.4	40.4	49.1	55.1	60.8	69.5
25.3	t	t	t	t	t	t	t	t
28	10.0	8.4						
32	8.8	8.4						
34	7.6	7.0	6.4					
36	7.2	6.5	6.0	5.4				
38	7.0	6.1	5.6	5.1				
40		5.8	5.3	4.8	4.1			
42		5.5	5.0	4.5	3.9	3.5		
44		5.4	4.8	4.3	3.7	3.3	2.8	
46			4.5	3.9	3.3	2.9	2.5	2.2
48			4.3	3.7	3.2	2.8	2.4	2.1
50				3.6	3.0	2.6	2.2	
55					2.7	2.3	2.2	
60					2.5	2.3		
65						2.1		

### Main boom 53 m

Radius (m)	Jib length in (m)							
	22.7	25.7	28.7	31.7	34.4	37.4	40.4	49.1
26.1	t	t	t	t	t	t	t	t
28	8.6	7.2						
30	7.6	7.2						
32	7.1	6.7	6.4	6.6				
34	6.6	6.2	6.0	5.7	5.4			
36	6.2	5.9	5.6	5.3	5.1	4.8	4.5	
38	6.7	5.3	5.0	4.8	4.5	4.3	4.1	3.4
40		5.2	4.8	4.5	4.3	4.0	3.8	3.2
42			4.7	4.3	4.1	3.9	3.7	3.1
44			4.5	4.2	3.9	3.7	3.5	2.9
46				4.1	3.8	3.5	3.3	2.7
48					3.7	3.4	3.1	2.6
50						3.3	3.0	2.4
55							2.9	2.1
60								2.3

Capacities in metric tons with luffing jib (No. 1309.xx) 50.9 t counterweight + 20 t carbody counterweight. Above lift chart is for reference only. For actual lift duty and complete chart with all available configurations please refer to lift chart in operator's cab or manual.

# Lift chart - luffing jib (No. 1309.xx)

Main boom angle 65°

## Main boom 23 m

Radius (m)	Jib length in (m)							
	22.7	28.7	34.4	40.4	49.1	60.8	69.5	78.5
25.4	t	t						
30	18.1	14.5						
34	14.7	12.4	12.2					
36	12.6	11.6	11.4	11.1				
40		10.1	9.9	9.7				
42			9.3	9.1	8.3			
44			8.7	8.5	8.0			
46				8.0	7.7			
48				7.5	7.2	5.4		
50				7.1	6.8	5.3		
55					5.9	5.1	3.5	
60						4.7	3.3	2.0
65						4.1	3.2	
70						3.5	3.0	
75							2.8	

## Main boom 32 m

Radius (m)	Jib length in (m)							
	22.7	28.7	34.4	40.4	49.1	60.8	69.5	78.5
29.2	t	t						
34	14.1	11.4						
36	11.7	10.6	10.4					
38	10.9	9.9	9.7					
40	10.1	9.3	9.1	8.8				
42		8.7	8.5	8.2				
44		8.1	8.0	7.7				
46			7.5	7.2	6.8			
48			7.1	6.8	6.4			
50				6.4	6.1			
55				5.6	5.2	4.6		
60					4.5	4.1	3.2	
65						3.5	3.0	
70						3.0	2.7	
75							2.6	2.3

## Main boom 38 m

Radius (m)	Jib length in (m)							
	22.7	28.7	34.4	40.4	49.1	60.8	69.5	
31.8	t	t						
36	11.9	9.9						
40	10.2	8.6	8.4					
42	8.9	8.1	7.9	7.6				
46		7.1	6.9	6.6				
48			6.5	6.3	5.7			
50			6.2	5.9	5.4			
55				5.1	4.7	4.0		
60					4.1	3.5	2.9	
65					3.5	3.0	2.5	
70						2.6	2.1	
75							2.2	

## Main boom 47 m

Radius (m)	Jib length in (m)							
	22.7	28.7	34.4	40.4	49.1	60.8		
35.6	t	t						
38	9.0							
40	8.4							
42	7.9	7.5						
44	7.4	7.0						
46	6.9	6.6	6.2					
48		6.2	5.8	5.5				
50		5.9	5.5	5.1				
55		5.5	5.2	4.8				
60			4.6	4.3	3.7			
65				3.7	3.2	2.5		
70					2.8	2.1		
					2.4			

## Main boom 50 m

Radius (m)	Jib length in (m)							
	22.7	28.7	34.4	40.4	49.1	60.8		
36.8	t	t						
42	8.1	6.4						
44	6.9	6.1	5.4					
46	6.6	5.7	5.3					
48		5.5	5.0	4.5				
50		5.2	4.8	4.3				
55			4.3	3.9	3.3			
60				3.4	2.8	2.1		
65					2.4			
70					2.1			

## Main boom 53 m

Radius (m)	Jib length in (m)							
	22.7	25.7	28.7	31.7	34.4	37.4	40.4	49.1
38.1	t	t						
40	7.2	6.5						
42	6.3	5.7	5.3					
44	6.0	5.4	5.1	4.8				
46	5.7	5.1	4.9	4.6	4.4			
48	5.6	5.1	4.7	4.4	4.2	4.0		
50		5.0	4.6	4.2	4.0	3.8	3.6	
55				4.0	3.7	3.4	3.2	2.6
60						3.2	3.0	2.3
65								2.1

Capacities in metric tons with luffing jib (No. 1309.xx) 50.9 t counterweight + 20 t carbody counterweight. Above lift chart is for reference only. For actual lift duty and complete chart with all available configurations please refer to lift chart in operator's cab or manual.

# Lift chart – luffing jib (No. 1309.xx)

## Main boom angle 45°

### Main boom 23 m

Radius (m)	Jib length in (m)					
	22.7	28.7	34.4	40.4	49.1	60.8
t	t	t	t	t	t	t
37.3	9.8					
40	9.0					
44		7.7				
46		7.3				
48			6.6			
50			6.3			
55				5.2		
60					4.2	
65					3.6	
70						2.7
75						2.3

### Main boom 32 m

Radius (m)	Jib length in (m)				
	22.7	28.7	34.4	40.4	49.1
t	t	t	t	t	t
43.7	6.8				
44	6.7				
46	6.3				
50		5.3			
55			4.4		
60				3.6	
70					2.3

### Main boom 38 m

Radius (m)	Jib length in (m)			
	22.7	28.7	34.4	40.4
t	t	t	t	t
47.9	5.1			
50	4.8			
55		3.9		
60			3.1	
65				2.4

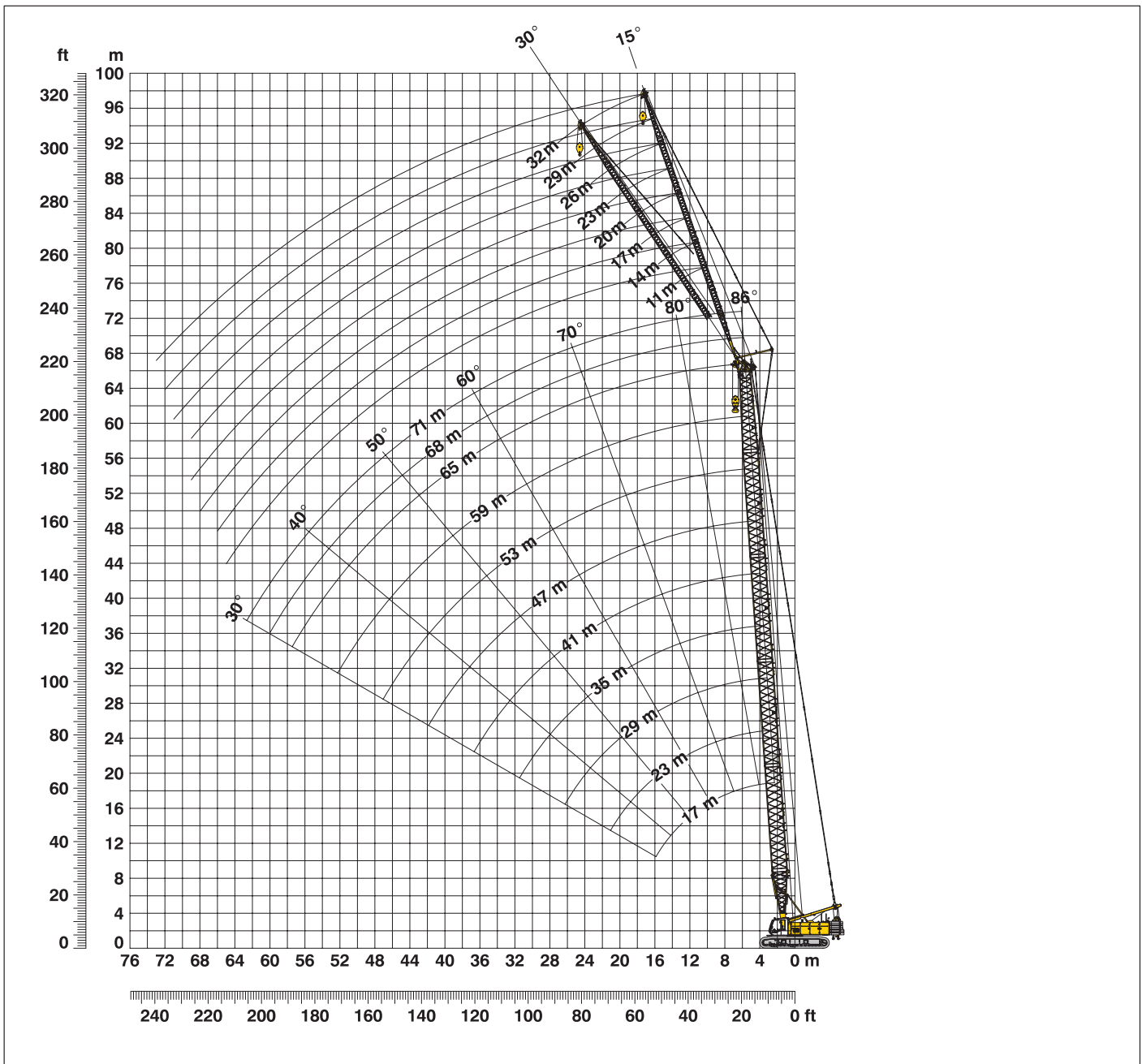
### Main boom 47 m

Radius (m)	Jib length in (m)	
	22.7	28.7
t	t	t
54.3	3.0	
55	2.9	
60		2.2

Capacities in metric tons with luffing jib (No. 1309.xx) 50.9 t counterweight + 20 t carbody counterweight. Above lift chart is for reference only. For actual lift duty and complete chart with all available configurations please refer to lift chart in operator's cab or manual.

# Working range - fixed jib (No. 0806.xx) 15° and 30°

Main boom 88° - 30°



## Boom configuration for boom lengths (17 m - 71 m) – see table 1 on page 10

### Fixed jib configuration for fixed jib lengths (11 m - 32 m)

	Length	Amount of fixed jib extensions							
Fixed jib foot	5.5 m	1	1	1	1	1	1	1	1
Fixed jib insert	3.0 m		1		1		1		1
Fixed jib insert	6.0 m			1	1	2	2	3	3
Fixed jib head	5.5 m	1	1	1	1	1	1	1	1
Fixed jib length (m)		11	14	17	20	23	26	29	32

# Lift chart – fixed jib (No. 0806.xx)

Offset 15°

## Main boom 17 m

Radius (m)	Fixed jib length in (m)			
	11	20	26	32
5.5	t	t	t	t
10	24.0	14.2		
12	23.6	13.4	7.7	
15	22.5	12.3	7.0	4.3
18	21.1	10.2	6.5	4.1
20	19.4	9.7	6.2	3.9
22	18.0	9.2	5.9	3.8
24	16.8	8.9	5.7	3.7
26	15.6	8.5	5.5	3.5
36		7.1	4.8	3.2
42			4.6	3.1
48				2.9

## Main boom 26 m

Radius (m)	Fixed jib length in (m)			
	11	20	26	32
5.8	t	t	t	t
10	24.0	14.3		
12	24.0	13.6	8.7	
15	22.9	12.6	7.2	4.3
20	20.9	10.3	6.4	3.9
24	19.2	9.5	5.9	3.7
28	16.5	8.9	5.6	3.5
32	13.7	8.5	5.3	3.4
34	12.6	8.2	5.2	3.3
44		7.2	4.7	3.1
50			4.6	3.0
55				2.9

## Main boom 35 m

Radius (m)	Fixed jib length in (m)			
	11	20	26	32
6.1	t	t	t	t
10	24.0	13.6		
13	23.7	12.8	7.3	
15	23.2	12.3	7.0	4.3
20	21.2	10.1	6.3	3.9
28	16.2	8.9	5.6	3.6
36	11.2	8.2	5.1	3.3
40	9.5	7.9	5.0	3.2
42	8.8	7.8	4.9	3.2
50		6.8	4.7	3.1
55			4.6	3.0
60				2.9

## Main boom 44 m

Radius (m)	Fixed jib length in (m)			
	11	20	26	32
6.4	t	t	t	t
11	23.9	13.2		
13	23.1	12.7	7.3	
16	21.9	12.1	6.9	4.1
20	20.2	10.2	6.4	3.9
28	15.7	9.2	5.7	3.6
36	10.8	8.5	5.3	3.4
44	7.8	7.5	5.0	3.2
50	6.1	6.7	4.8	3.1
60		4.6	4.5	3.0
65			4.1	2.9
70				2.8

## Main boom 53 m

Radius (m)	Fixed jib length in (m)			
	11	20	26	32
6.7	t	t	t	t
11	22.5	12.3		
13	21.7	11.0	7.6	
16	20.5	10.4	6.6	4.1
20	18.9	9.7	6.2	3.9
28	15.2	8.7	5.6	3.6
36	10.4	8.0	5.2	3.4
44	7.3	7.2	4.9	3.2
55	4.6	5.1	4.5	3.0
65		3.4	3.7	2.9
70			3.0	2.9
75				2.6

## Main boom 59 m

Radius (m)	Fixed jib length in (m)			
	11	20	26	32
6.9	t	t	t	t
11	20.9	10.8		
14	19.9	10.4	6.6	
16	19.0	10.0	6.4	4.0
20	17.7	9.4	6.0	3.9
28	14.0	8.5	5.5	3.6
36	9.6	7.9	5.2	3.4
44	7.0	6.7	4.9	3.2
55	4.3	4.8	4.4	3.0
60	3.4	3.9	4.0	3.0
70		2.4	2.7	2.8
75			2.1	2.3

## Main boom 65 m

Radius (m)	Fixed jib length in (m)			
	11	20	26	32
7.2	t	t	t	t
11	20.3	11.0		
14	18.0	9.9	6.4	
16	17.2	9.5	6.2	4.5
20	15.8	9.0	5.9	3.8
28	12.5	8.1	5.4	3.6
36	9.3	7.7	5.0	3.4
44	6.7	6.3	4.8	3.2
55	4.0	4.5	4.4	3.0
65	2.3	2.8	3.1	2.8
70		2.1	2.4	2.6
75				2.1

## Main boom 68 m

Radius (m)	Fixed jib length in (m)			
	11	14	20	26
7.3	t	t	t	t
9	19.1	15.7		
11	18.0	15.3	10.6	
14	16.8	14.5	9.5	6.2
16	16.1	14.0	9.2	6.1
20	14.5	12.9	8.7	5.7
28	11.2	10.6	7.8	5.2
36	9.0	8.9	7.2	4.9
44	6.5	6.5	6.0	4.7
55	3.8	4.0	4.4	4.2
65	2.2	2.3	2.7	3.0
70				2.3

## Main boom 71 m

Radius (m)	Fixed jib length in (m)		
	11	14	17
7.3	t	t	t
9	19.1	15.7	
10	18.4	15.5	13.0
12	17.6	15.1	12.7
14	16.8	14.5	12.4
16	16.1	14.0	11.3
20	14.5	12.9	10.7
28	11.2	10.6	9.6
36	9.0	8.9	8.8
44	6.5	6.5	6.5
55	3.8	4.0	4.2
65	2.2	2.3	2.5

Capacities in metric tons with fixed jib (No. 0806.xx) 50.9 t counterweight + 20 t carbody counterweight. Above lift chart is for reference only. For actual lift duty and complete chart with all available configurations please refer to lift chart in operator's cab or manual.

# Lift chart - fixed jib (No. 0806.xx)

Offset 30°

## Main boom 17 m

Radius (m)	Fixed jib length in (m)			
	11	20	26	32
8	t	t	t	t
14	24.0	10.2		
18	18.0	9.2	5.9	
22	15.7	8.4	5.4	3.5
24	14.9	8.1	5.2	3.4
26	14.4	7.8	5.0	3.3
28	13.9	7.5	4.9	3.3
36		6.8	4.5	3.1
38			4.5	3.1
42			4.4	3.0
44				3.0
48				2.9

## Main boom 26 m

Radius (m)	Fixed jib length in (m)			
	11	20	26	32
8.3	t	t	t	t
14	24.0	11.7		
18	19.9	9.6	6.0	
22	17.7	8.9	5.6	3.5
24	16.8	8.6	5.4	3.4
28	15.4	8.1	5.1	3.3
32	13.9	7.7	4.9	3.2
34	12.7	7.5	4.8	3.2
36	11.6	7.3	4.8	3.1
44		6.8	4.6	3.0
50			4.4	2.8
55				2.7

## Main boom 35 m

Radius (m)	Fixed jib length in (m)			
	11	20	26	32
8.6	t	t	t	t
15	23.4	9.8		
18	20.1	9.2	6.6	
22	19.3	8.6	5.4	3.5
28	16.4	8.1	5.1	3.3
32	13.6	7.7	4.9	3.2
36	11.4	7.4	4.8	3.1
40	9.6	7.1	4.7	3.1
42	8.9	7.0	4.6	3.0
50		6.5	4.5	2.9
55			4.4	2.8
60				2.8

## Main boom 44 m

Radius (m)	Fixed jib length in (m)			
	11	20	26	32
8.9	t	t	t	t
15	22.1	9.8		
19	19.3	9.2	5.7	
24	18.0	8.6	5.4	3.4
28	15.9	8.3	5.2	3.3
36	11.0	7.8	4.9	3.2
44	7.9	7.2	4.7	3.0
48	6.7	6.7	4.6	3.0
50	6.2	6.5	4.6	3.0
60		4.6	4.4	2.9
65			4.1	2.9
70				2.8

## Main boom 53 m

Radius (m)	Fixed jib length in (m)			
	11	20	26	32
9.3	t	t	t	t
15	20.6	10.1		
19	18.1	8.7	5.5	
24	16.3	8.2	5.2	3.4
28	15.0	7.9	5.0	3.3
36	10.4	7.6	4.8	3.2
44	7.5	6.8	4.6	3.1
48	6.3	6.4	4.5	3.0
55	4.7	5.3	4.4	3.0
65		3.5	3.8	2.9
70			3.1	2.9
80				2.1

## Main boom 59 m

Radius (m)	Fixed jib length in (m)			
	11	20	26	32
9.5	t	t	t	t
16	19.3	8.7		
19	16.5	8.5	5.3	
24	14.8	8.0	5.1	3.3
28	13.4	7.7	4.9	3.3
36	9.9	7.4	4.7	3.1
44	7.2	6.5	4.6	3.0
48	6.0	6.1	4.5	3.0
55	4.4	5.1	4.4	2.9
60	3.5	4.1	4.0	2.9
70		2.5	2.9	2.8
75			2.2	2.5

## Main boom 65 m

Radius (m)	Fixed jib length in (m)			
	11	20	26	32
9.7	t	t	t	t
16	17.6	8.4		
20	14.7	8.0	5.2	
24	13.6	7.7	5.0	3.3
28	12.2	7.4	4.8	3.2
36	9.6	7.0	4.6	3.1
44	6.9	6.3	4.5	3.0
48	5.8	5.8	4.4	3.0
55	4.1	4.8	4.3	2.9
65	2.4	3.0	3.4	2.8
70		2.3	2.6	2.6
75				2.3

## Main boom 68 m

Radius (m)	Fixed jib length in (m)			
	11	14	20	26
9.8	t	t	t	t
12	16.5	13.6		
16	14.9	13.0	8.1	
20	13.5	12.2	7.8	5.1
24	12.4	10.7	7.5	4.9
28	11.2	10.1	7.2	4.7
36	9.3	9.0	6.7	4.6
44	6.6	6.6	6.0	4.5
48	5.6	5.8	5.5	4.4
55	4.0	4.2	4.7	4.1
65	2.3	2.5	2.9	3.2
70			2.1	2.5

## Main boom 71 m

Radius (m)	Fixed jib length in (m)			
	11	14	17	
9.9	t	t	t	t
12	15.4	12.9		
14	14.5	12.6	10.1	
16	13.8	12.3	9.9	
20	12.7	11.0	9.5	
28	10.4	9.5	8.5	
36	8.9	8.3	7.6	
40	7.5	7.5	7.3	
44	6.3	6.4	6.4	
48	5.4	5.5	5.5	
55	3.8	4.1	4.3	
65	2.1	2.3	2.5	

Capacities in metric tons with fixed jib (No. 0806.xx) 50.9 t counterweight + 20 t carbody counterweight. Above lift chart is for reference only. For actual lift duty and complete chart with all available configurations please refer to lift chart in operator's cab or manual.

# Notice

